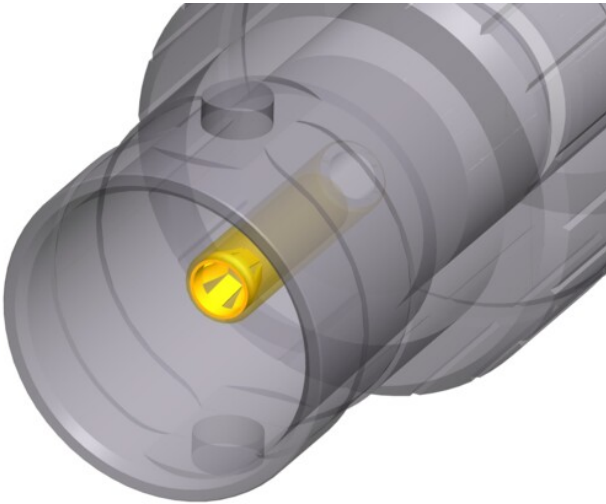




NBB75DFGX

Grounded UHD BNC chassis connector,
feedthrough in antraloy plated D-shape housing

Neutrik's UHD BNC chassis connectors offer low return loss values at high frequencies specific for high resolution video signal transmission. The machined brass connector body provides an extremely rugged and non-abrasive connection over long term use and is in addition recessed and therefore well protected in a D-shape housing

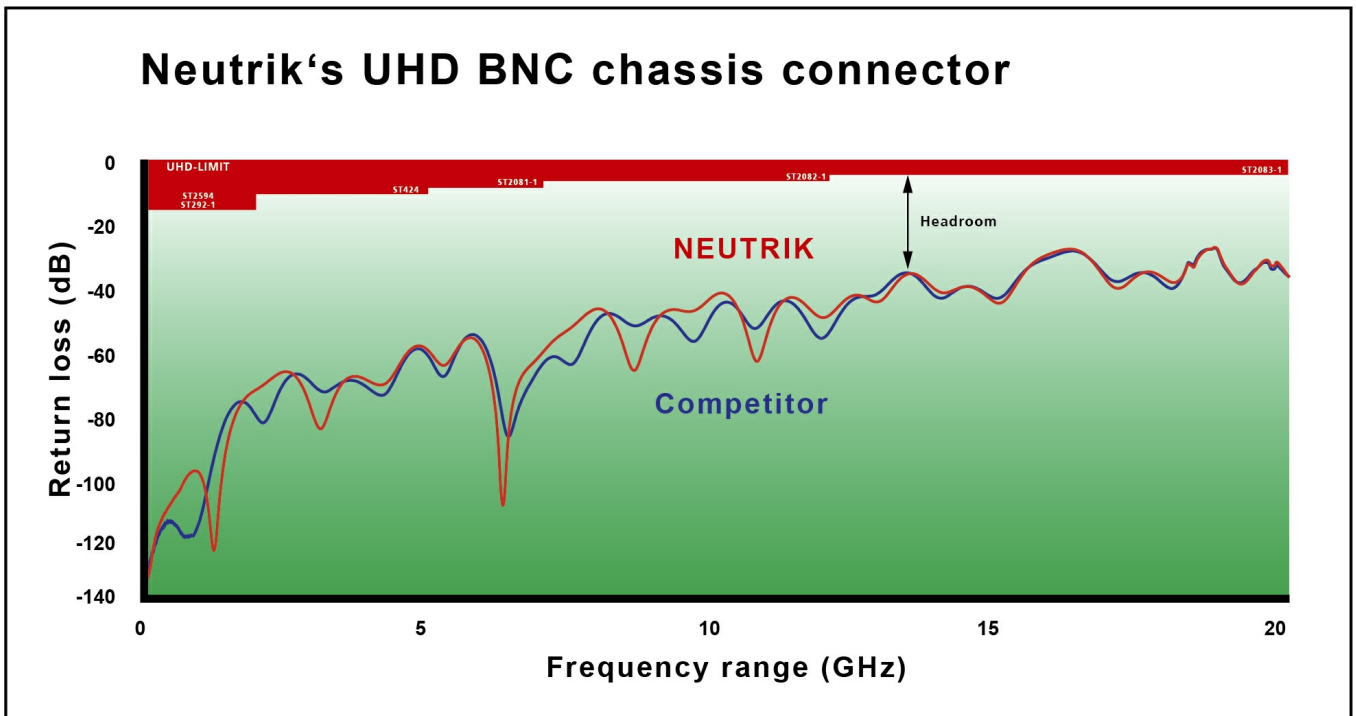


Features & Benefits

- Optimized gold plated cage type center contact for UHD signals as 4K or 8K
- Swiss antralooy plating
- Grounded panel mount
- Standard D-shape housing provides flush mounting and protection from damage
- Color coding possible
- Fully compatible with conventional BNC cable connectors

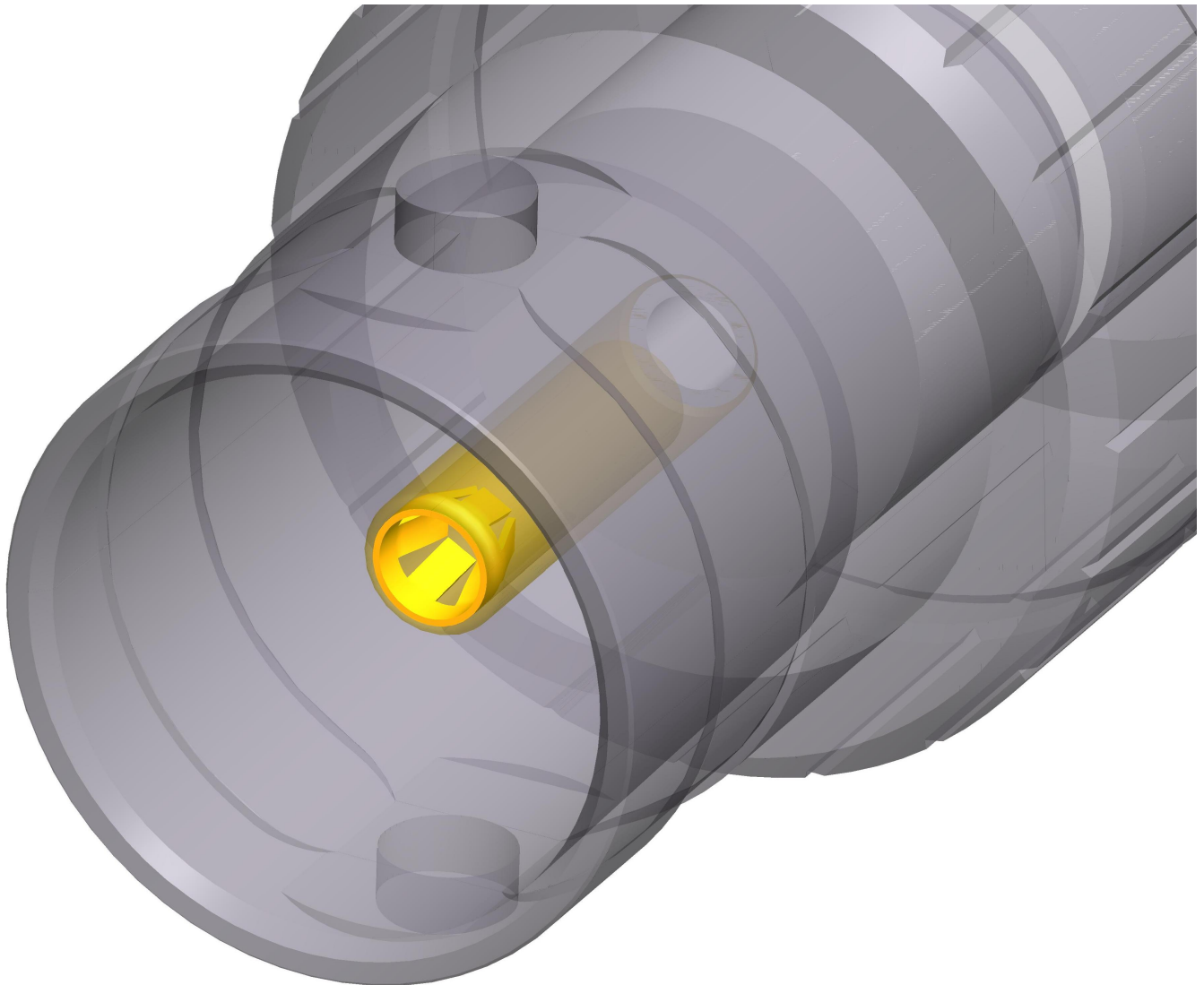
Optimized Return Loss

Due to optimized insulator design the Neutrik rearTWIST UHD BNC chassis connector achieves increased headroom compared to conventional BNC connectors and offers additional return loss reserve for potential impedance deviations resulting from cable bending, incorrect connector assembly or faulty connection interfaces without signal interruption. For more details see Neutrik UHD BNC White Paper.



New cage type contact

- Closed contact design - extremely robust
- Gold plated cage type clip - best possible shielding and lowest contact resistance



Technical Information

Product	
Title	NBB75DFGX
Connection Type	BNC 75 Ω
Gender	female

Electrical	
Contact resistance	$\leq 3 \text{ m}\Omega$ (inner)
Contact resistance	$\leq 2 \text{ m}\Omega$ (outer)
Dielectric strength	1.5 kVdc
Impedance	75 Ω
Insulation resistance	$> 5 \text{ G}\Omega$
Rated voltage	$< 50 \text{ V}$
VSWR	$\leq 1.06 / >30 \text{ dB}$ up to 6 GHz $\leq 1.13 / >24 \text{ dB}$ up to 12 GHz $\leq 1.22 / >20 \text{ dB}$ up to 18 GHz
Signal type	UHD, SDI, Video, AES/EBU, Composit, YUV, RGB, RGBH, RGBHV

Mechanical	
Insertion force	$< 25 \text{ N}$
Lifetime	> 1000 mating cycles
Wiresize	
Locking device	Bayonett
Mounting direction	Front mounting
Chassis shape	D

Material	
Contacts	Brass (CuZn39Pb3), 0.2 µm AuCo (center contact)
Insert	PTFE
Shell	Polyacetal (POM) (insulation shell)
Shell plating	Antraloy
D-shape housing	Zinc diecast (ZnAl4Cu1)

Environmental	
Temperature range	-30 °C to +85 °C