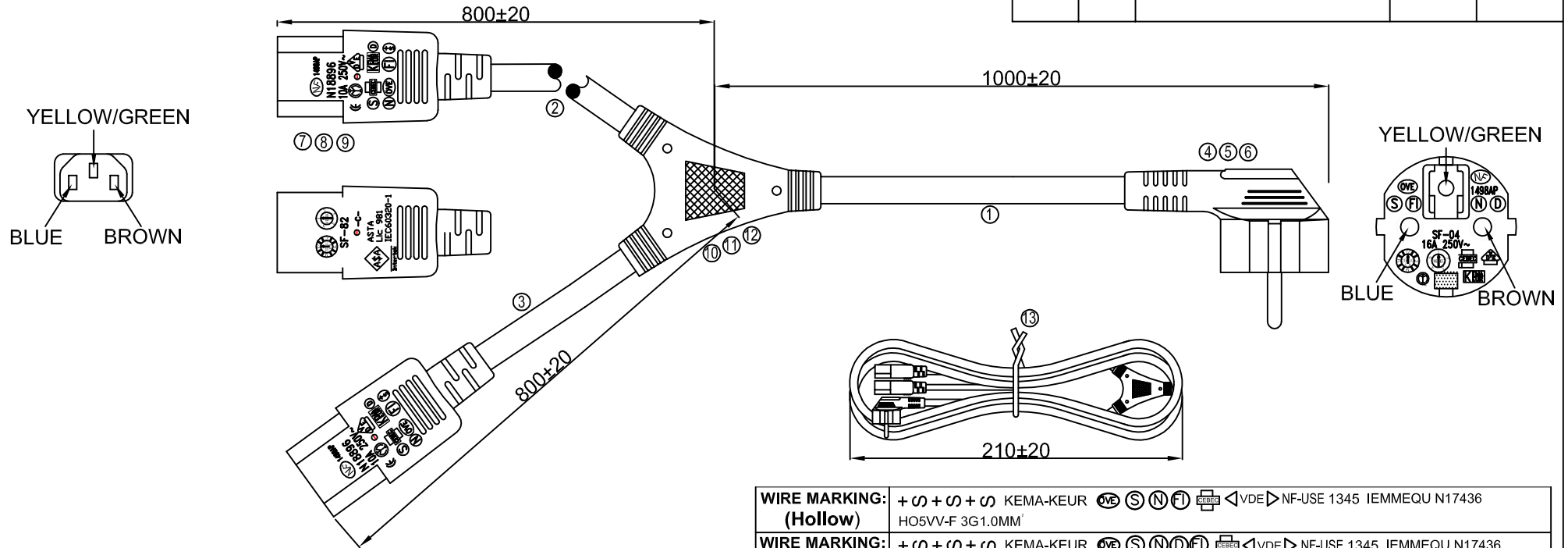


ROHS COMPLIANT

A/0	DATE	REV	DESCRIPTION	BY	CHECK
		A/0			



ELECTRIC TESTING:

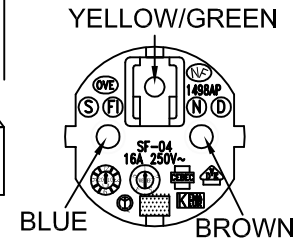
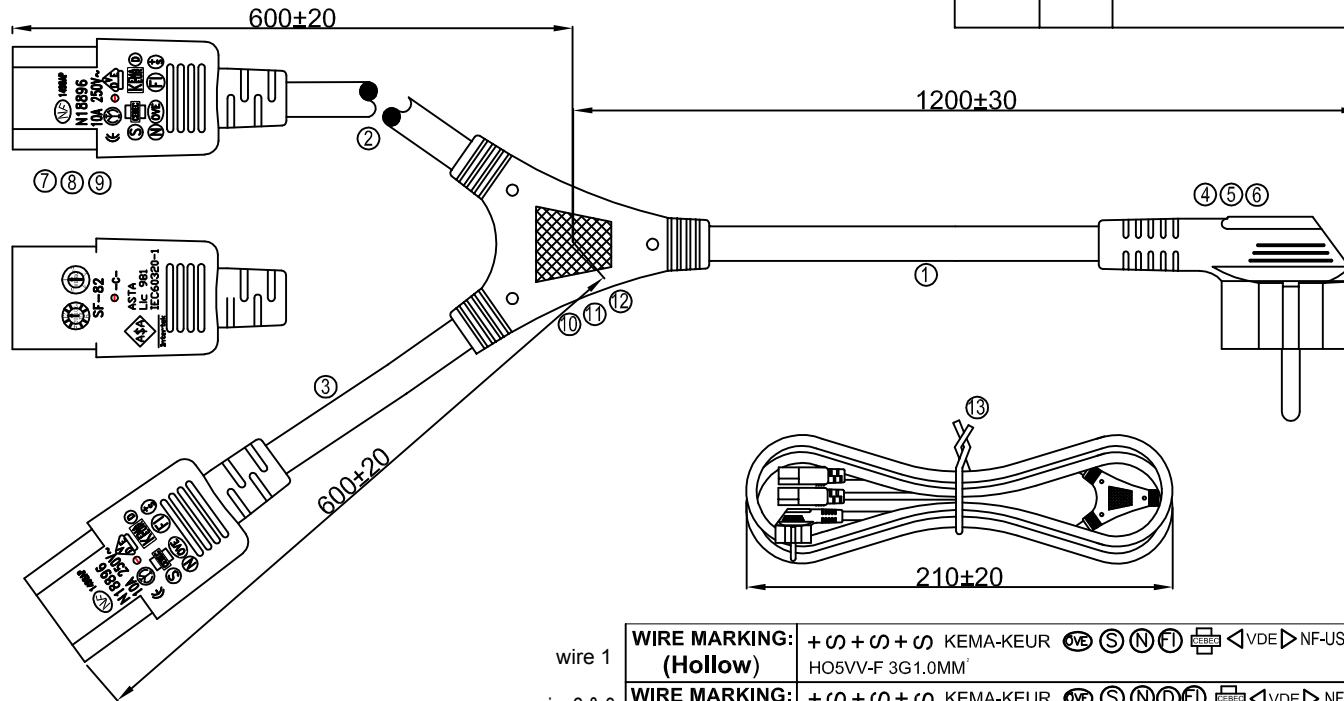
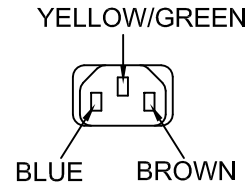
1. 100% OPEN & SHORT TESTING .
2. INSULATION RESISTANCE: ≥50MΩ
3. VOLTAGE RATING:AC ≥1500V/S ≥0.5MA
4. PLUG(SF-04) RATED POWER:250V 10/16A
5. PLUG(SF-82) RATED POWER:250V 10A
6. WIRE: HO5VV-F 3*1.0 BLACK RATED VOLTAGE:300/500V &HO5VV-F 3*0.75 BLACK RATED VOLTAGE:300/500V

WIRE MARKING: (Hollow)	+ 0 + 0 + 0 KEMA-KEUR VDE NF-USE 1345 IEMMEQU N17436 HO5VV-F 3G1.0MM'						
WIRE MARKING: (Hollow)	+ 0 + 0 + 0 KEMA-KEUR VDE NF-USE 1345 IEMMEQU N17436 HO5VV-F 3G0.75MM'						
Conductor	Insulation	Jacket		Overall diameter			
mm ²	Resistance maximum (≤)	Min.Thick	Diameter	Length of Lay	Min.Thick	AVG.Thick	
1.0 (32/0.190)	at20°C,19.5ohms/km	0.44	2.5±0.1	130 ↓	0.58	0.8	7.0±0.1
0.75 (24/0.190)	at20°C,26.0ohms/km		2.4±0.1				6.8±0.1
(NOTE: IF THE CONDUCTORS O.D IS GO BEYOND THE SCOPE, THE RESISTANCE OF CONDUCTOR IS STANDARD THEN)							

PAGE	1/1						
Unless specified on the drawing, tolerances are per the follows: .X ± 1 .X ± 0.5 .XX ± 0.1		DESCRIPTION	SF-04+SF-82+Y型				
		CUSTOMER NAME	SAMPLE NO.	DATE			
		CUSTOMER PART NO. AK5050	DRAW	Hurao	DATE	2010/10/12	
		SCALE	CHECK	ART YANG	DATE	2010/10/12	
		UNIT MM	APPROVAL	DATE			
3RD		PATH NAME	//D/				

ROHS COMPLIANT

A/0	DATE	REV	DESCRIPTION	BY	CHECK
		A/0			



ELECTRIC TESTING:

1. 100% OPEN & SHORT TESTING .
2. INSULATION RESISTANCE: ≥50MΩ
3. VOLTAGE RATING: AC ≥1500V/S ≥0.5MA
4. PLUG(SF-04) RATED POWER: 250V 10/16A
5. PLUG(SF-82) RATED POWER: 250V 10A
6. WIRE: HO5VV-F 3*1.0 BLACK RATED VOLTAGE: 300/500V
& HO5VV-F 3*0.75 BLACK RATED VOLTAGE: 300/500V

wire 1

wire 2 & 3

WIRE MARKING: (Hollow)	+ 0 + 0 + 0 KEMA-KEUR VDE NF-USE 1345 IEMMEQU N17436 HO5VV-F 3G1.0MM ²						
	+ 0 + 0 + 0 KEMA-KEUR VDE NF-USE 1345 IEMMEQU N17436 HO5VV-F 3G0.75MM ²						
Conductor		Insulation			Jacket		Overall diameter
mm ²	Resistance maximum (≤)	Min.Thick	Diameter	Length of Lay	Min.Thick	AVG.Thick	
1.0 (32/0.190)	at 20°C, 19.5ohms/km	0.44	2.5±0.1	130 ↓	0.58	0.8	7.0±0.1
0.75 (24/0.190)	at 20°C, 26.0ohms/km		2.4±0.1				6.8±0.1
(NOTE: IF THE CONDUCTORS O.D IS GO BEYOND THE SCOPE, THE RESISTANCE OF CONDUCTOR IS STANDARD THEN)							

PAGE	1/1						
重點尺寸							
Unless specified on the drawing, tolerances are per the follows: .X ± 1 .X ± 0.5 .XX ± 0.1		DESCRIPTION	SF-04+SF-82+Y型				
		CUSTOMER NAME	SAMPLE NO.	DATE			
		CUSTOMER PART NO.	AK5055	DRAW	Hurao	DATE	2010/10/12
		SCALE	CHECK	ART YANG	DATE	2010/10/12	
		UNIT	MM	APPROVAL	DATE		
3RD		PATH NAME	//D/				