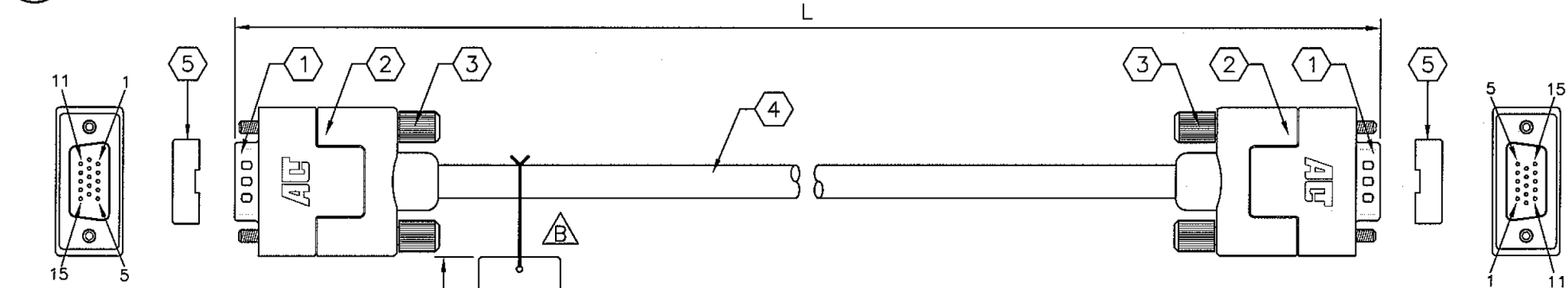


ALL MATERIAL ARE RoHS AND CALIFORNIA PROP.65 COMPLIANT

CUSTOMER'S APPROVAL: \_\_\_\_\_

DATE: Oct 15th 2009

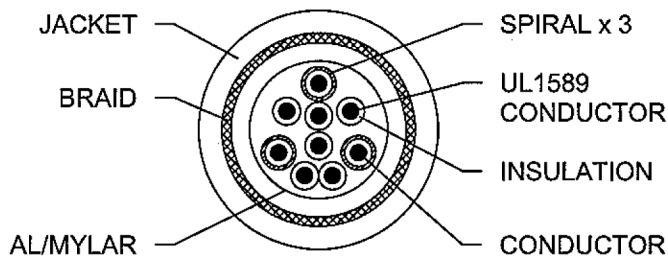
FIRST ARTICLE SAMPLE REQUIRED:  YES,  NO.



**WIRE MARKING:**  
**ACT** **RU** AWM 20276 80°C 30V VW-1  
 ACT Ultra High Performance cable IIC-code  
 LEADFREE RoHS Compliant

**PINOUT CONFIGURATION**

HD15 MALE		HD15 MALE
1	RED CEN.	1
2	GRN CEN.	2
3	BLUE CEN.	3
6	RED GND.	6
7	GRN GND.	7
8	BLUE GND.	8
5	WHITE	5
4,10,11		4,10,11
9	ORANGE	9
12	GREEN	12
13	BROWN	13
14	BLACK	14
15	YELLOW	15
SHELL	BRAID	SHELL



P/N	L±(mm)
AK9360	1800±50
AK9363	3000±100
AK9365	5000±150
AK9367	7000±200

- NOTE:**
1. EACH CABLE W/TEST REPORT CARD
  2. WIRE MARKING WITH ACT LOGO PRINTING
  3. PE BAG WITH BARCODE LABEL
  4. SMOOTH JACKET, OD=8.0mm

UNIT: mm

ITEM	DESCRIPTION	QTY.	UNIT
*	1 HD15 MALE CONNECTOR W/GOLD PLATED PINS & SHELL	1	PCS.
*	2 PAT. NO.:US 6,287,148 B1 RF-BLOK™ MATT BLACK NICKEL PLATED+RECESSED ACT LOGO	2	PCS.
	3 BLACK #4/40 THUMBSCREW	4	PCS.
*	4 UL20276 (28AWG COAX+SPIRAL)x3C+(28AWG WIRE)x6C +AL/MYLAR+85% BRAID OVERALL; BLACK PVC "SMOOTH" JACKET, OD=ø8.0mm	SEE	DWG.
	5 TRANSPARENT PROTECTION CAP	2	PCS.

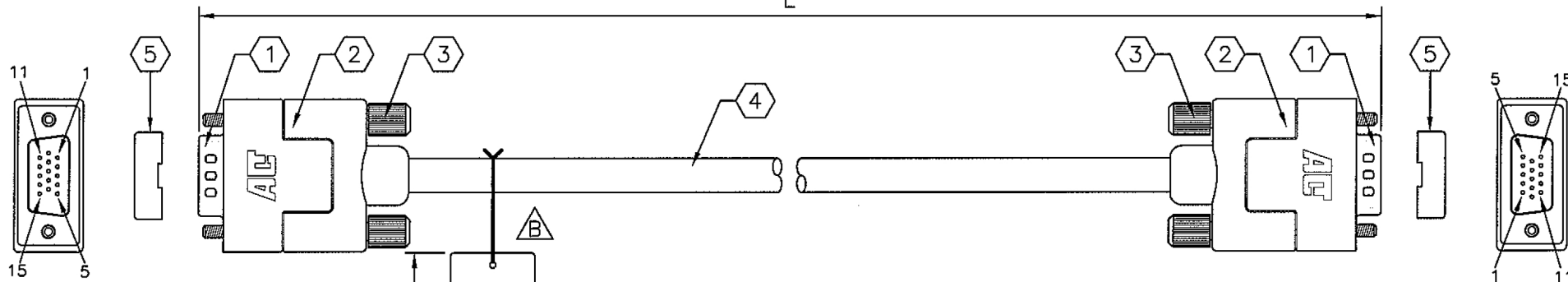
REV.	DESCRIPTION	DATE	REVISED BY	Part Number:	Revision:	
A	CHANGE WIRE MARKING	AUG.03.09	STANLEY	SEE TABLE	B	
B	ADD TEST REPORT CARD	SEP.16.09	STANLEY	RFQ number:	Drawing#: 98072215	
				Drawn by: STANLEY	Scale: None	
				Checked by:	Date: 07/22/2009	SALES: LILIAN

ALL MATERIAL ARE RoHS AND CALIFORNIA PROP.65 COMPLIANT

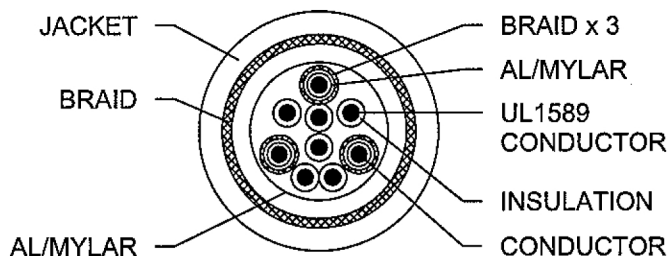
CUSTOMER'S APPROVAL: *[Signature]*

DATE: *Oct 15th, 2009*

FIRST ARTICLE SAMPLE REQUIRED:  YES,  NO.



**WIRE MARKING:**  
**ACT** **FU** AWM 20276 80°C 30V VW-1  
 ACT Ultra High Performance cable IIC-code  
 LEADFREE RoHS Compliant



P/N	L±(mm)
AK9369	10000±250
AK9371	15000±250
AK9373	20000±250
AK9375	25000±250
AK9377	30000±250

- NOTE:**
1. EACH CABLE W/TEST REPORT CARD **△**
  2. WIRE MARKING WITH ACT LOGO PRINTING
  3. PE BAG WITH BARCODE LABEL
  4. SMOOTH JACKET, OD=8.0mm

**PINOUT CONFIGURATION**

HD15 MALE		HD15 MALE
1	RED CEN.	1
2	GRN CEN.	2
3	BLUE CEN.	3
6	RED GND.	6
7	GRN GND.	7
8	BLUE GND.	8
5	WHITE	5
4,10,11		4,10,11
9	ORANGE	9
12	GREEN	12
13	BROWN	13
14	BLACK	14
15	YELLOW	15
SHELL	BRAID	SHELL

UNIT: mm

ITEM	DESCRIPTION	QTY.	UNIT
* 1	HD15 MALE CONNECTOR W/GOLD PLATED PINS & SHELL	2	PCS.
* 2	PAT. NO.:US 6,287,148 B1 RF-BLOK™ MATT BLACK NICKEL PLATED+RECESSED ACT LOGO	2	PCS.
3	BLACK #4/40 THUMBSCREW	4	PCS.
* 4	UL20276 (28AWG COAX+AL/MYLAR+65% BRAID)x3C +(28AWG WIRE)x6C+AL/MYLAR+85% BRAID OVERALL; BLACK PVC "SMOOTH" JACKET, OD=ø8.0mm	SEE	DWG.
5	TRANSPARENT PROTECTION CAP	2	PCS.

REVISED DETAILS		DATE	REVISED BY
REV.	DESCRIPTION	DATE	REVISED BY
A	CHANGE WIRE MARKING	AUG.03.09	STANLEY
B	ADD TEST REPORT CARD	SEP.16.09	STANLEY

Part Number:	Revision:
SEE TABLE	B
RFQ number:	Drawing#: 98072216
Drawn by: STANLEY	Scale: None
Checked by:	Date: 07/22/2009



SALES: LILIAN