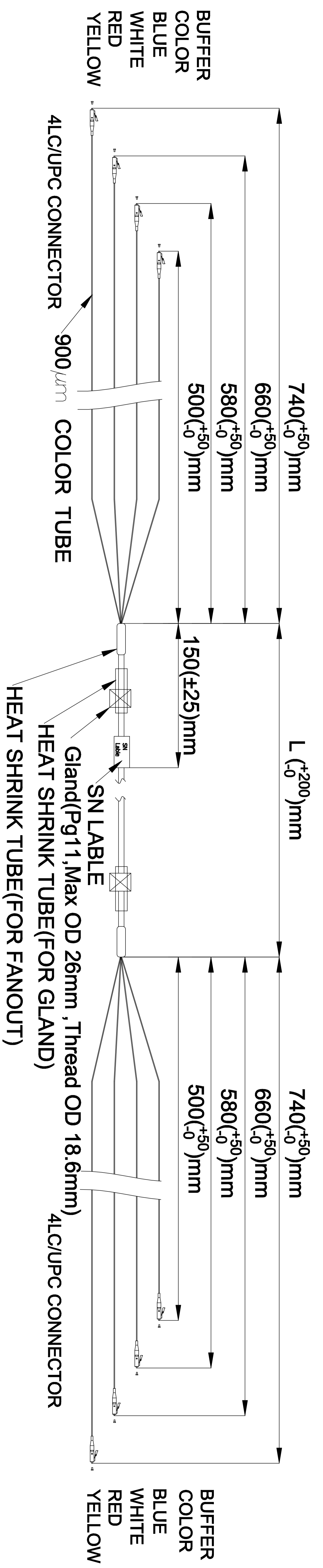
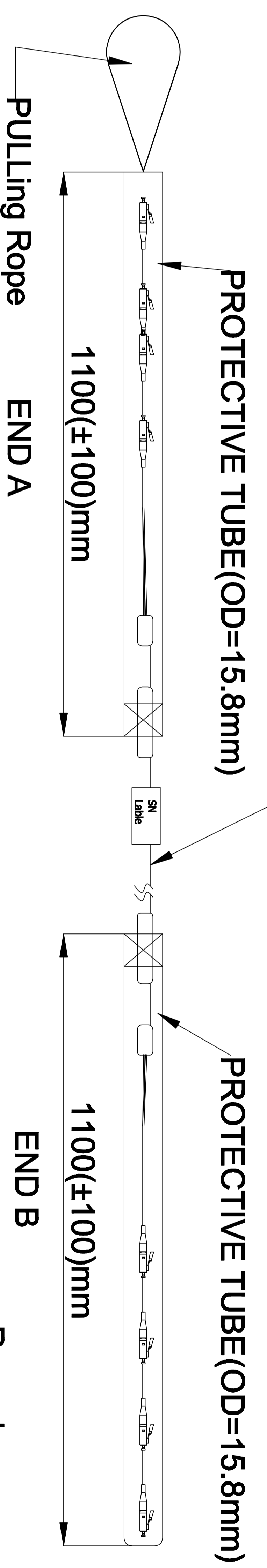


REV.	REVISION	DATE



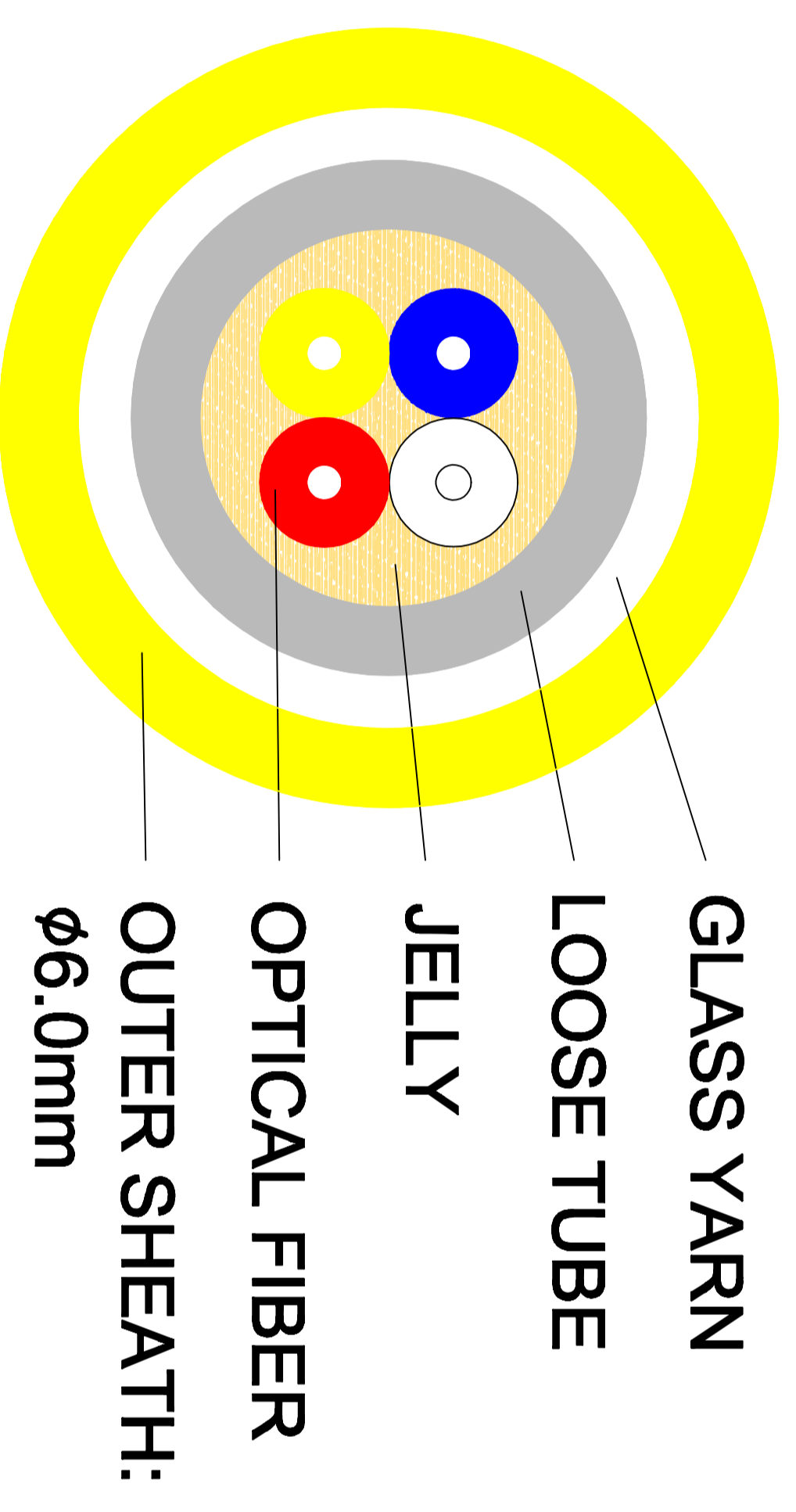
TEXT PRINTING:

ACT Premium Single mode Fiber Optic 4c Loose Tube Cable 9/125um OS2  
LSZH{batchcode}xxxxM



**Remark:**  
 1.Insertion Loss<0.20dB  
 Return Loss > 55dB  
 2.3D of UPC  
 Radius of Curvature:7~12mm  
 Vertex Offset:0um~30um  
 Fiber Height Spherical:-30nm~30nm

RL2330	300	300	984.2'(300000)	4XLC-4XLC 9/125 OS2	Loose tube 300M
RL2320	200	200	656.1'(200000)	4XLC-4XLC 9/125 OS2	Loose tube 200M
RL2319	190	190	623.3'(190000)	4XLC-4XLC 9/125 OS2	Loose tube 190M
RL2318	180	180	590.5'(180000)	4XLC-4XLC 9/125 OS2	Loose tube 180M
RL2317	170	170	557.7'(170000)	4XLC-4XLC 9/125 OS2	Loose tube 170M
RL2316	160	160	524.9'(160000)	4XLC-4XLC 9/125 OS2	Loose tube 160M
RL2315	150	150	492.1'(150000)	4XLC-4XLC 9/125 OS2	Loose tube 150M
RL2314	140	140	459.3'(140000)	4XLC-4XLC 9/125 OS2	Loose tube 140M
RL2313	130	130	426.5'(130000)	4XLC-4XLC 9/125 OS2	Loose tube 130M
RL2312	120	120	393.7'(120000)	4XLC-4XLC 9/125 OS2	Loose tube 120M
RL2311	110	110	360.8'(110000)	4XLC-4XLC 9/125 OS2	Loose tube 110M
RL2310	100	100	328.1'(100000)	4XLC-4XLC 9/125 OS2	Loose tube 100M
RL2309	90	90	295.3'(90000)	4XLC-4XLC 9/125 OS2	Loose tube 90M
RL2308	80	80	262.5'(80000)	4XLC-4XLC 9/125 OS2	Loose tube 80M
RL2307	70	70	229.7'(70000)	4XLC-4XLC 9/125 OS2	Loose tube 70M
RL2306	60	60	196.9'(60000)	4XLC-4XLC 9/125 OS2	Loose tube 60M
RL2305	50	50	164.0'(50000)	4XLC-4XLC 9/125 OS2	Loose tube 50M
RL2304	40	40	131.2'(40000)	4XLC-4XLC 9/125 OS2	Loose tube 40M
RL2303	30	30	98.4'(30000)	4XLC-4XLC 9/125 OS2	Loose tube 30M
RL2302	20	20	65.6'(20000)	4XLC-4XLC 9/125 OS2	Loose tube 20M
RL2301	10	10	32.8'(10000)	4XLC-4XLC 9/125 OS2	Loose tube 10M
PART NO.	**	xx	L	DESCRIPTION	



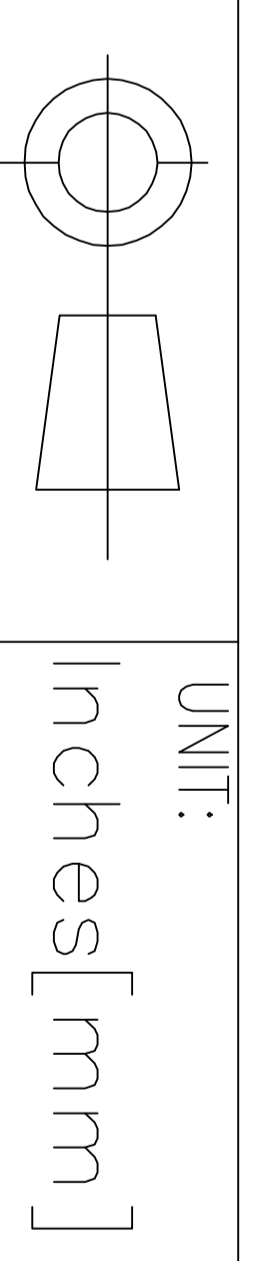
CABLE CONSTRUCTION

- GLASS YARN
- LOOSE TUBE
- JELLY
- OPTICAL FIBER
- OUTER SHEATH: Ø6.0mm



CUSTOMER APPROVAL:

DATE:



TITLE:  
4 x LC - 4 x LC9/125μmOS2

ITEM	QTY	PART NO.	DESCRIPTION
PART LIST			
DESCRIPTION			
DRAWN BY		Peter	DATE 2018/07/02
CHECKED BY		Wale	DATE 2018/07/02
APPROVED BY		David	DATE 2018/07/02
SALE BY			DATE
DRAWING NO.			CUSTOMER PART NO.
TRENDX PART NO.			REV.