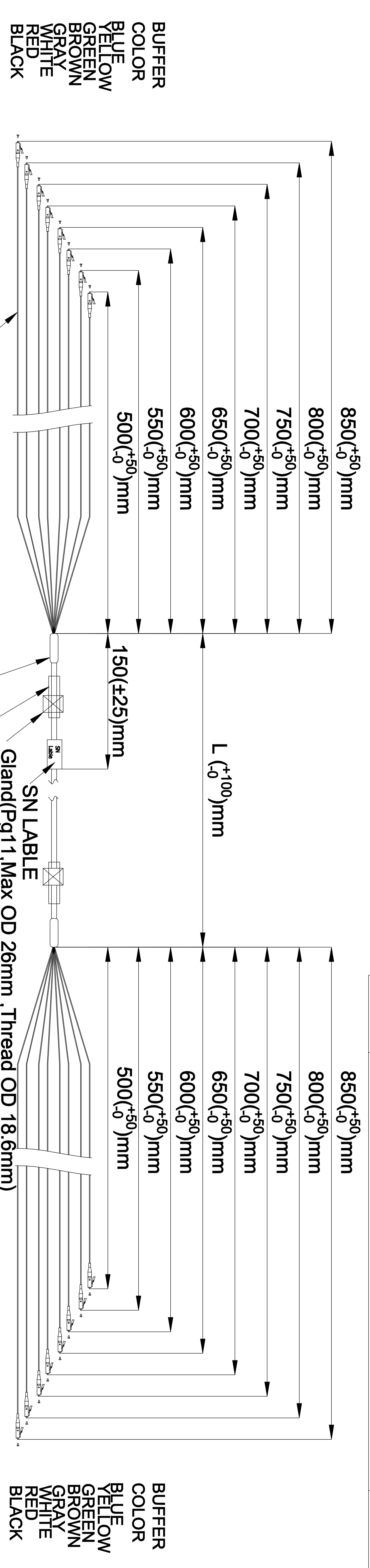
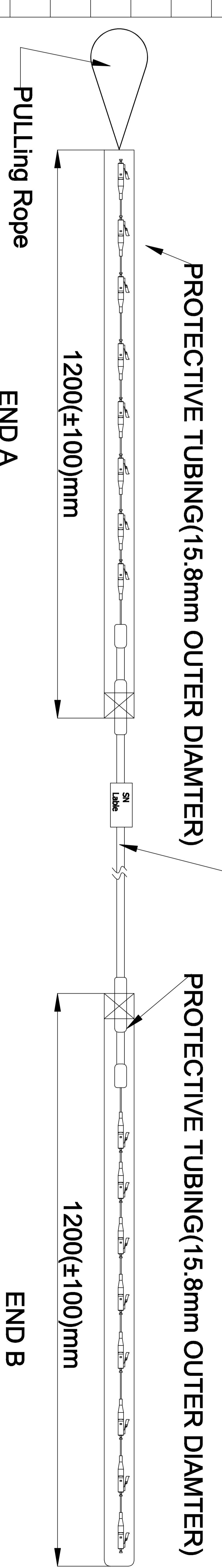


REV.	REVISION	DATE



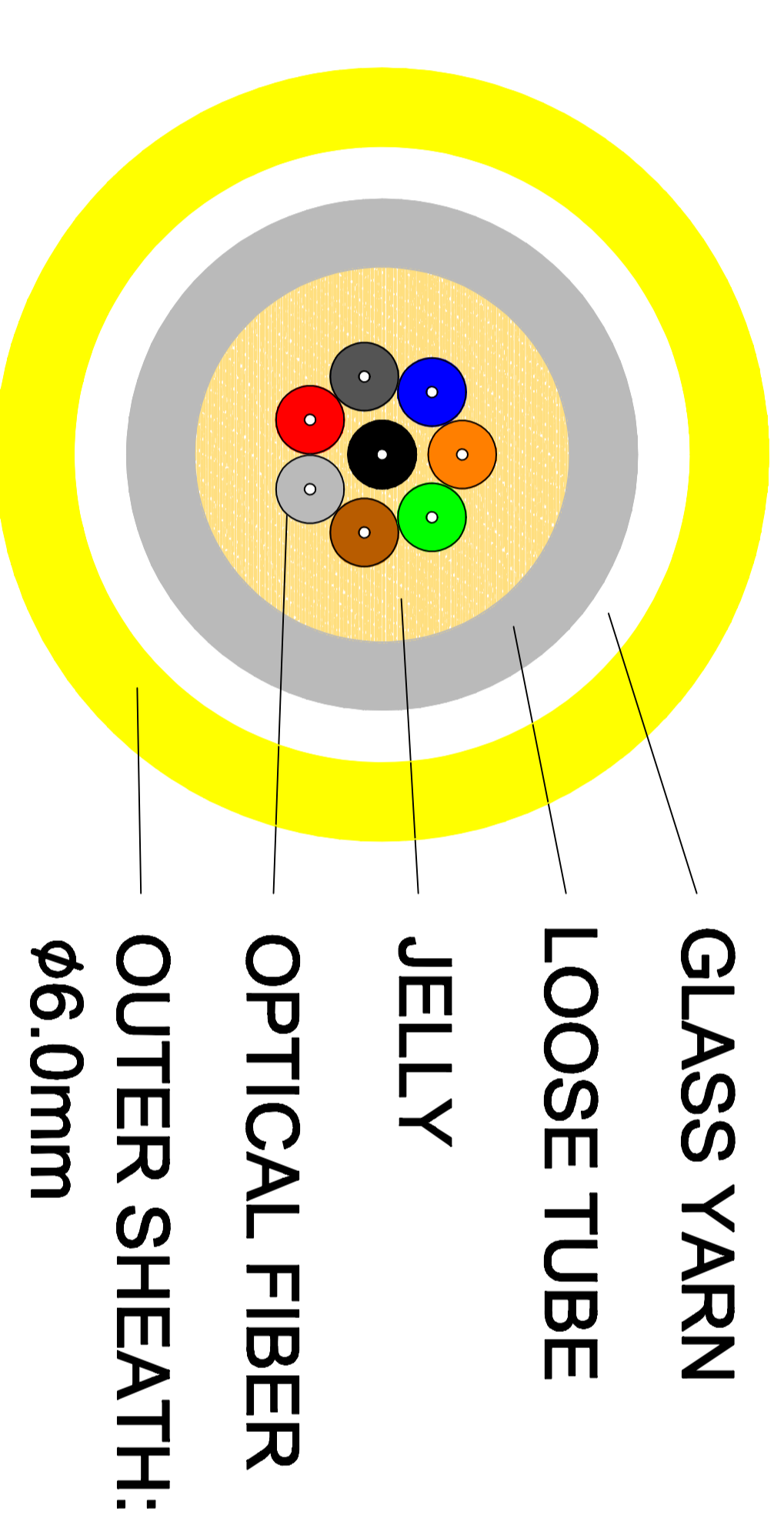
8LC/UPC CONNECTOR 900µm COLOR TUBE 150(±25)mm SN LABEL Gland(Pg11, Max OD 26mm ,Thread OD 18.6mm) HEAT SHRINK TUBE(FOR GLAND) HEAT SHRINK TUBE(FOR FANOUT) 8LC/UPC CONNECTOR

TEXT PRINTING:
ACT Premium single mode Fiber Optic 8c Loose Tube Cable 9/125um G657A1
LSZH{batchcode}xxxM




Remark:
1. Insertion Loss ≤ 0.20dB
Return Loss ≥ 55dB
2. 3D of UPC
Radius of Curvature: 7~12mm
Vertex Offset: 0um~30um
Fiber Height Spherical: ~30nm~30nm

ITEM	QTY	PART NO.	DESCRIPTION
RL4130	300	984.2(300000)	8XLC-8XLC 9/125 SM Loose tube 300M
RL4120	200	656.1(200000)	8XLC-8XLC 9/125 SM Loose tube 200M
RL4119	190	623.3(190000)	8XLC-8XLC 9/125 SM Loose tube 190M
RL4118	180	590.5(180000)	8XLC-8XLC 9/125 SM Loose tube 180M
RL4117	170	557.7(170000)	8XLC-8XLC 9/125 SM Loose tube 170M
RL4116	160	524.9(160000)	8XLC-8XLC 9/125 SM Loose tube 160M
RL4115	150	492.1(150000)	8XLC-8XLC 9/125 SM Loose tube 150M
RL4114	140	459.3(140000)	8XLC-8XLC 9/125 SM Loose tube 140M
RL4113	130	426.5(130000)	8XLC-8XLC 9/125 SM Loose tube 130M
RL4112	120	393.7(120000)	8XLC-8XLC 9/125 SM Loose tube 120M
RL4111	110	360.8(110000)	8XLC-8XLC 9/125 SM Loose tube 110M
RL4110	100	328.1(100000)	8XLC-8XLC 9/125 SM Loose tube 100M
RL4109	90	295.3(90000)	8XLC-8XLC 9/125 SM Loose tube 90M
RL4108	80	262.5(80000)	8XLC-8XLC 9/125 SM Loose tube 80M
RL4107	70	229.7(70000)	8XLC-8XLC 9/125 SM Loose tube 70M
RL4106	60	196.9(60000)	8XLC-8XLC 9/125 SM Loose tube 60M
RL4105	50	164.0(50000)	8XLC-8XLC 9/125 SM Loose tube 50M
RL4104	40	131.2(40000)	8XLC-8XLC 9/125 SM Loose tube 40M
RL4103	30	98.4(30000)	8XLC-8XLC 9/125 SM Loose tube 30M
RL4102	20	65.6(20000)	8XLC-8XLC 9/125 SM Loose tube 20M
RL4101	10	32.8(10000)	8XLC-8XLC 9/125 SM Loose tube 10M
PART NO.	** xx	L	DESCRIPTION



GLASS YARN
LOOSE TUBE
JELLY
OPTICAL FIBER
OUTER SHEATH:
ø6.0mm

CUSTOMER APPROVAL:		DATE:

	UNIT:	Inches[mm]
DRAWN BY	DATE:	2018/07/05
CHECKED BY	DATE:	2018/07/05
APPROVED BY	DATE:	2018/07/05
SALE BY	DATE:	2018/07/05

TITLE:	8 x LC - 8 x LC9/125µm SM Loose Tube
CUSTOMER	Indoor/Outdoor Cable
CUSTOMER PART NO.	RL41**
DRAWING NO.	
Ref. NO.	
REV.	C
TRENDEX PART NO.	

DESCRIPTION
PART LIST