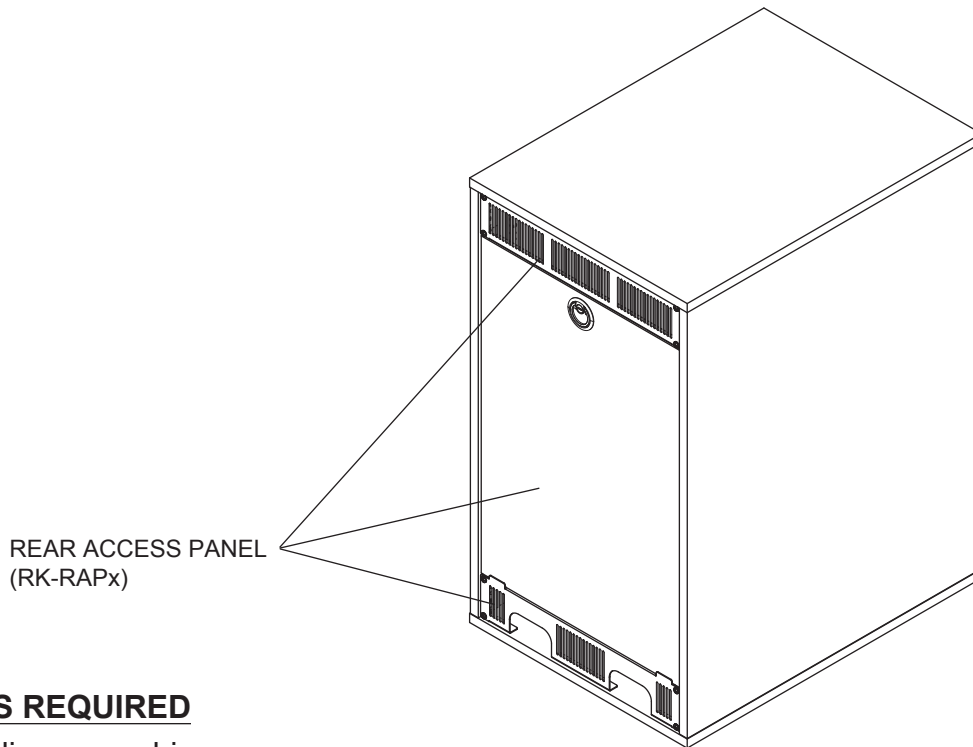


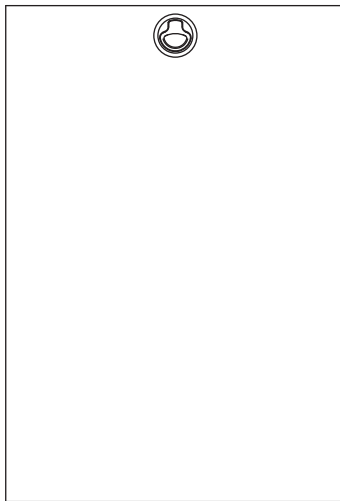
INSTRUCTION SHEET
MBRK/BRK SERIES
RK-RAPx REAR ACCESS PANEL



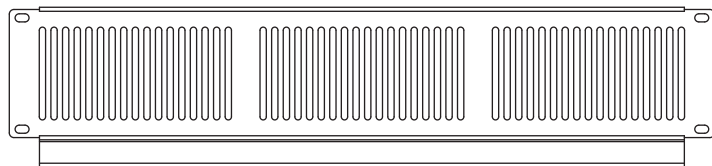
TOOLS REQUIRED

#2 Phillips screwdriver

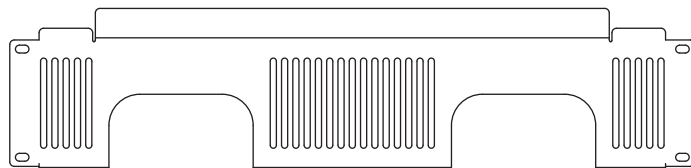
PARTS



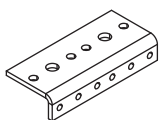
Rear Access Panel
(1)



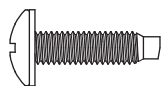
Top Panel
(1)



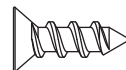
Cable Management Bottom Panel
(1)



2 Space RackRail
(4)



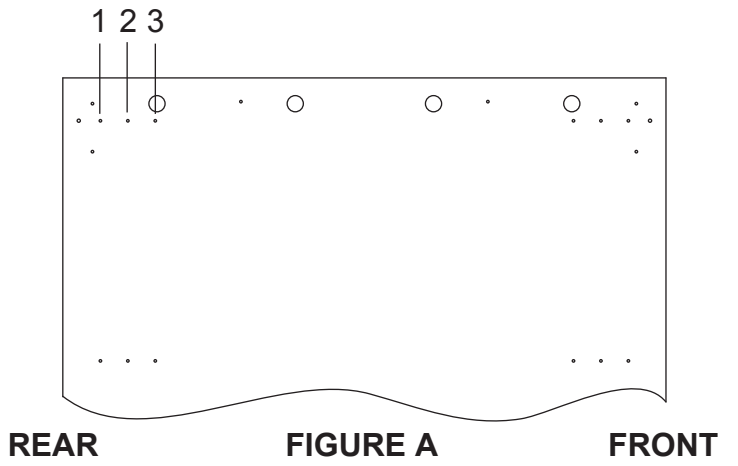
#10-32 Pan Head Screw
(12)



#10 X 5/8" Wood Screw
(6)

INSTALLATION

NOTE: Full height rear rackrail should be installed in setback position 3. (**FIGURE A**)



1) Align 2 space rackrail with side panel pilot holes at rear of rack and install with the #10 X 5/8" wood screws provided, 4 places. (**FIGURE B**)

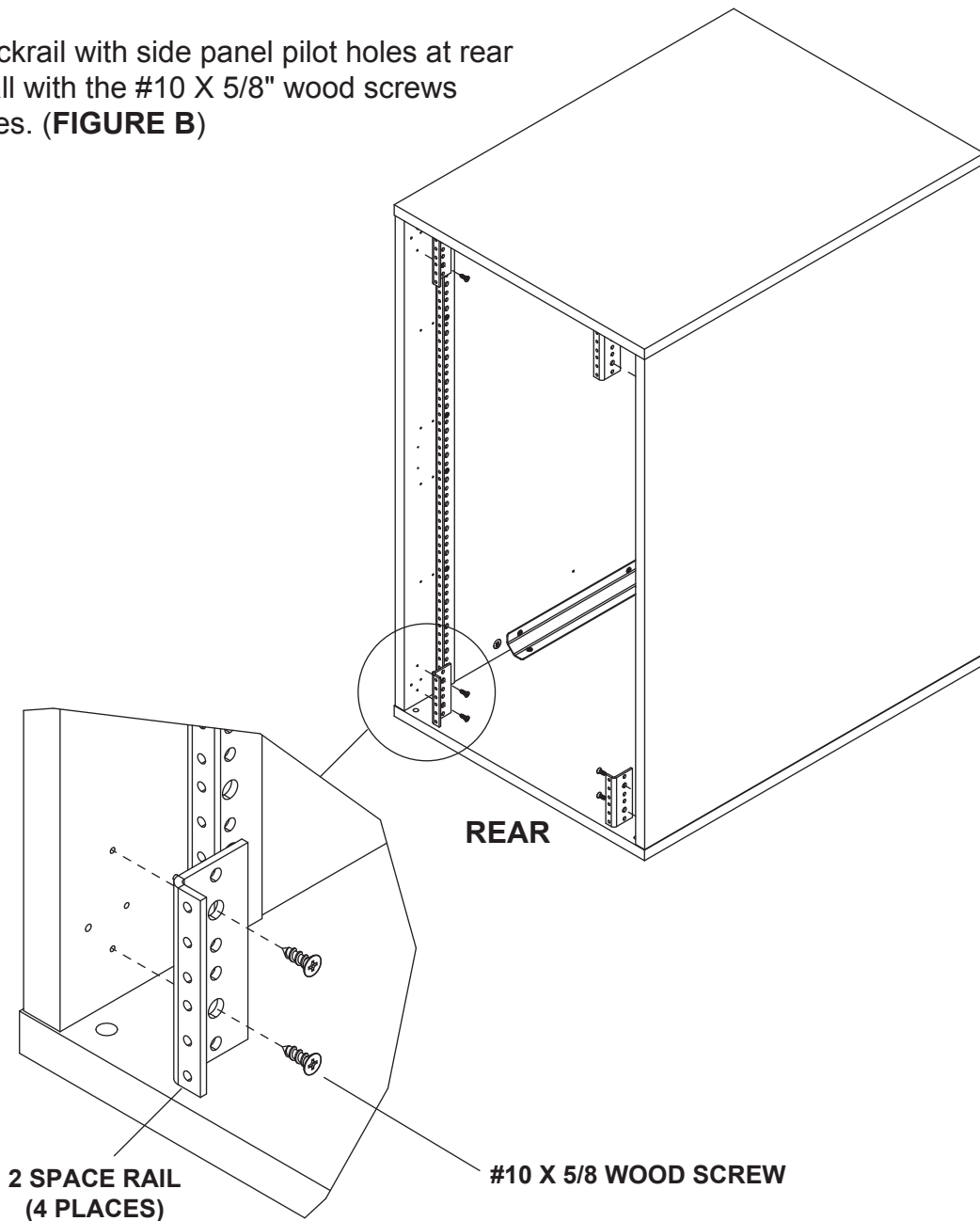


FIGURE B

INSTALLATION (Continued)

3) Install the Top Panel and the Cable Management Bottom Panel to the 2 space rackrails (top and bottom) with the #10-32 pan head screws provided. (See **FIGURE C**)

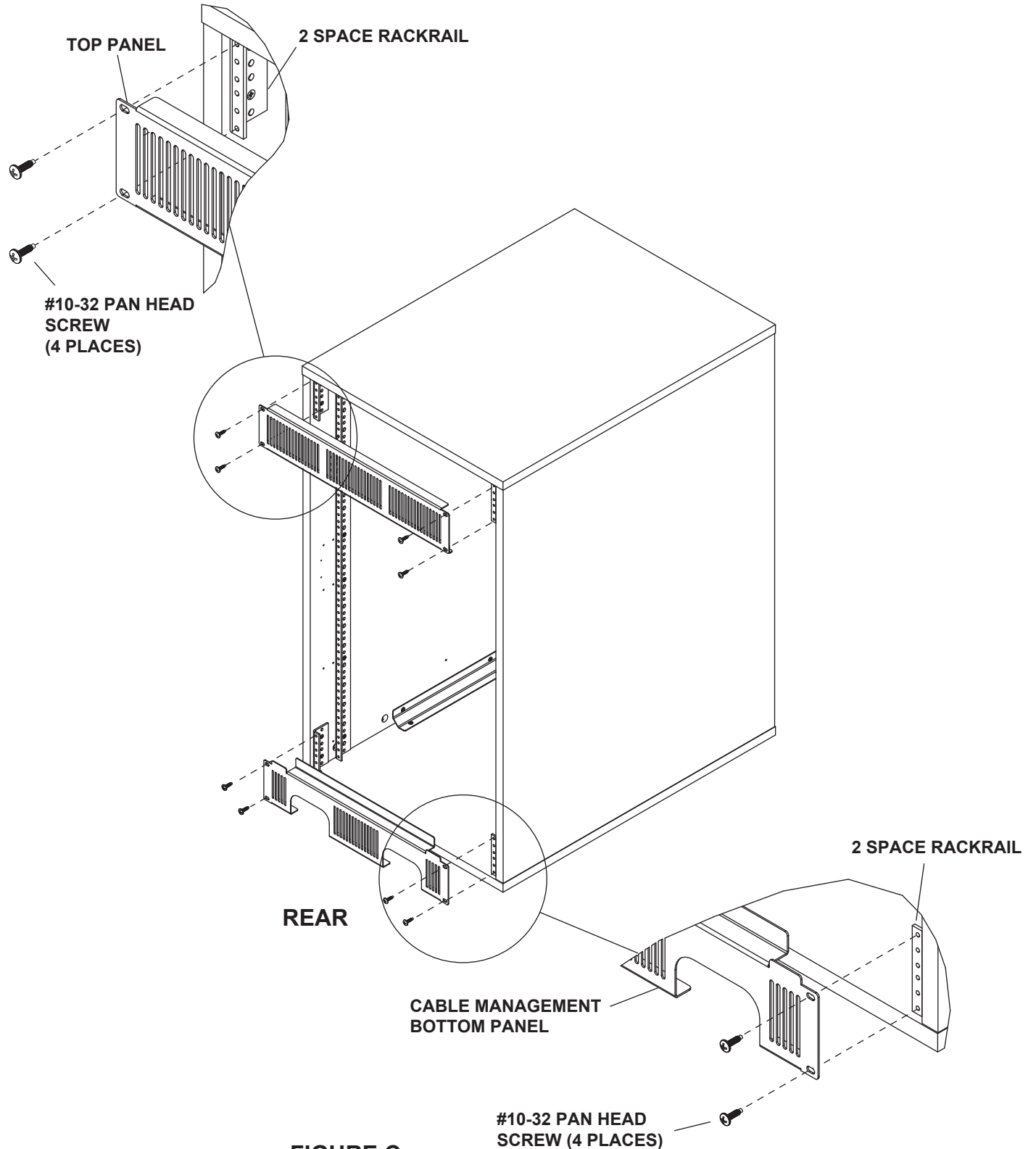
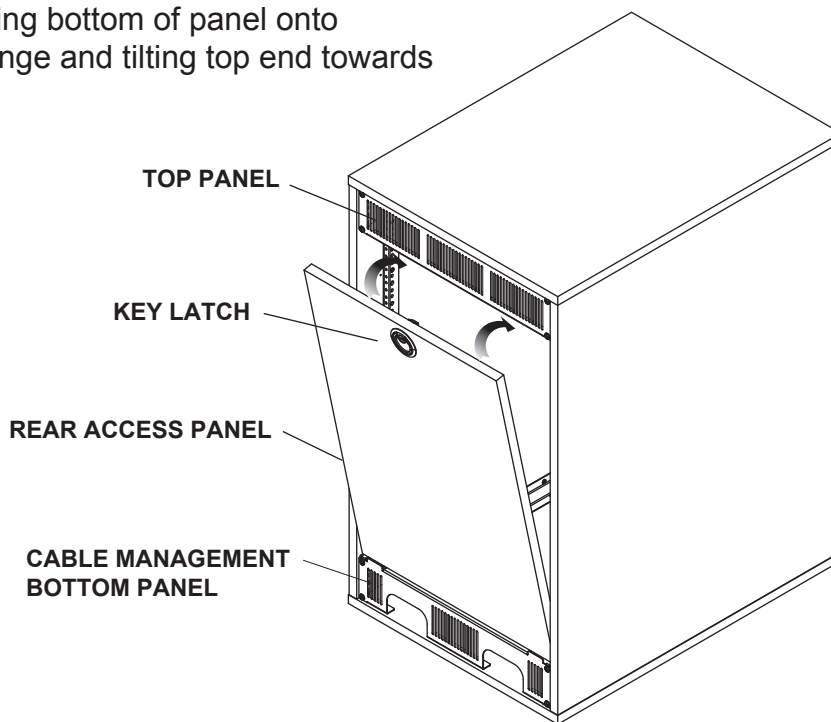


FIGURE C

INSTALLATION (Continued)

4) Install the Rear Access Panel by setting bottom of panel onto Cable Management Bottom Panel flange and tilting top end towards the Top Panel. (**FIGURE D**)

NOTE: Keys are provided for the Rear Access Panel key latch



NOTE: Fan kit available, part # DCFANKIT-4

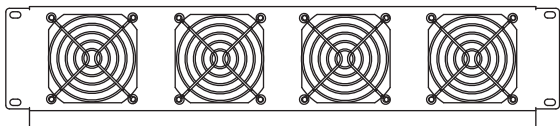


FIGURE D

WARRANTY

Middle Atlantic Products (the "Company") warrants the Rear Access Panel (RK-RAPx) to be free from defects in material or workmanship under normal use and conditions for the lifetime of the product.

The Company's entire liability to the purchaser, and the purchaser's (or any other party's) sole and exclusive remedy, under this warranty shall be limited, at the Company's option, to either (a) return of and refund of the price paid for, or (b) repair or replacement at the Company's factory of the products purchased, or any part or parts thereof, which the Company has determined to be defective after inspection thereof at the Company's factory.

This warranty does not cover damage due to acts of God, accident, misuse, abuse or negligence by parties other than the Company, or any modification or alteration of the products. In addition, this warranty does not cover damage due to improper handling, assembly, installation or maintenance.

THIS WARRANTY IS IN LIEU OF ALL OTHER WARRANTIES OF ANY KIND, EITHER EXPRESSED OR IMPLIED, INCLUDING, BUT NOT LIMITED TO, IMPLIED WARRANTIES OF MERCHANTABILITY AND FITNESS FOR A PARTICULAR PURPOSE.

TO THE MAXIMUM EXTENT PERMITTED BY APPLICABLE LAW, IN NO EVENT SHALL THE COMPANY BE LIABLE FOR ANY SPECIAL, INCIDENTAL, INDIRECT, OR CONSEQUENTIAL DAMAGES WHATSOEVER (INCLUDING, WITHOUT LIMITATION, DAMAGES FOR LOSS OF BUSINESS PROFITS, BUSINESS INTERRUPTION OR ANY OTHER PECUNIARY LOSS) ARISING OUT OF THE USE OF THE PRODUCTS PURCHASED, EVEN IF THE COMPANY HAS BEEN ADVISED OF THE POSSIBILITY OF SUCH DAMAGES. THE COMPANY'S LIABILITY TO THE PURCHASER (OR ANY OTHER PARTY) HEREUNDER, IF ANY, SHALL IN NO EVENT EXCEED THE PURCHASE PRICE OF THE PRODUCTS PAID TO THE COMPANY.

Corporate Headquarters

Corporate Voice 973-839-1011 - Fax 973-839-1976 / International Voice +1 973-839-8821 - Fax +1 973-839-4982
middleatlantic.com - info@middleatlantic.com

Middle Atlantic Canada

Voice 613-836-2501 - Fax 613-836-2690 / middleatlantic.ca - customerservicecanada@middleatlantic.ca

Factory Distribution

USA: NJ - CA - IL Canada: ON - BC

At Middle Atlantic Products we are always listening. Your comments are welcome.

Middle Atlantic Products is an ISO 9001 and ISO 14001 Registered Company.

