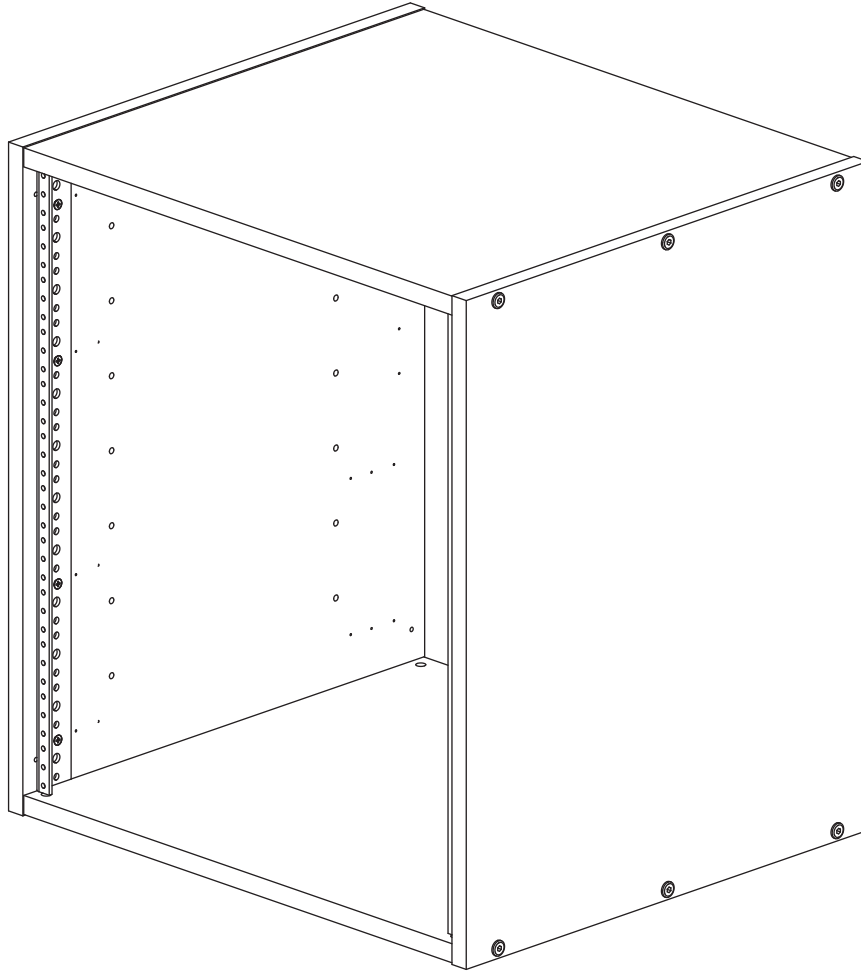


INSTRUCTION SHEET
BRK/RK SERIES
BLACK LAMINATE RACK



THANK YOU

Thank you for purchasing the BRK/RK Series Black Laminate Rack. Please read these instructions thoroughly before assembling this product.

PRODUCT FEATURES

- Sturdy design
- Easy to assemble
- Multiple options for full customization

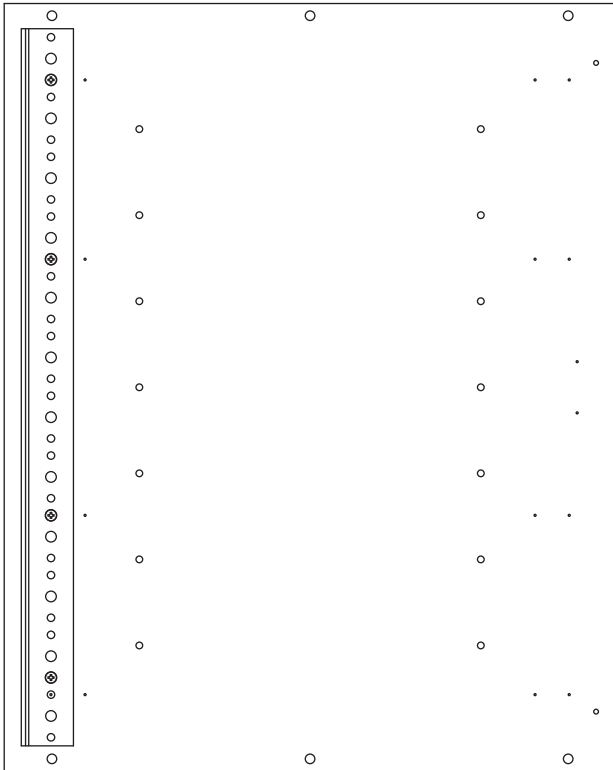


Middle Atlantic Products

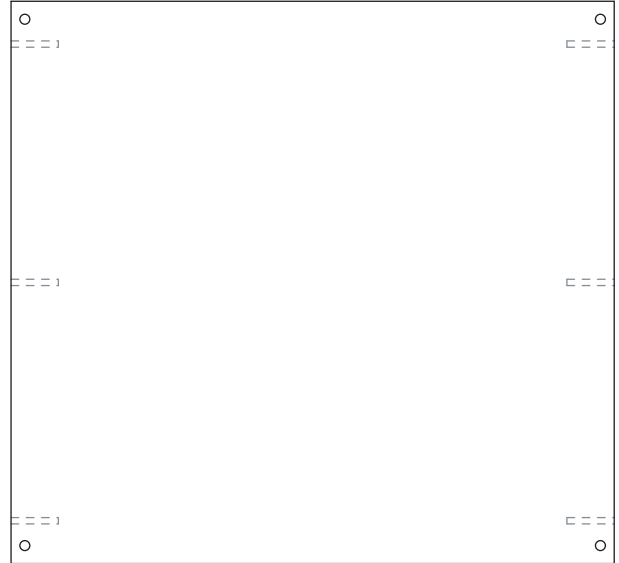
I-1101

Rev E

PARTS



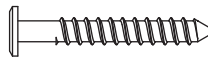
SIDE (QTY - 2)
(Sides are interchangeable)



TOP/BOTTOM (QTY - 2)
(Top and Bottom are interchangeable)



STICK ON BUMPER
(QTY - 5 - One Extra)



JOINT CONNECTOR SCREW
(QTY - 12)

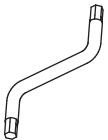


SCREW CAP
(QTY - 12)

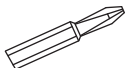
TOOLS REQUIRED



4 MM HEX BIT (Included)



4 MM HEX KEY (Included)



#2 PHILLIPS DRIVER (for options only)



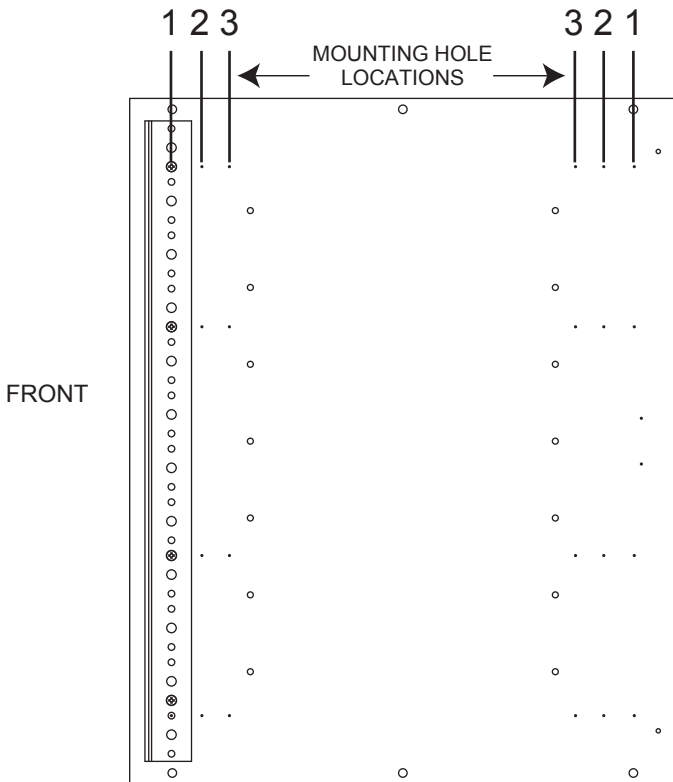
DETERMINE OPTIONS BEFORE BEGINNING ASSEMBLY

- Casters, Part # - RKW
- Quick-Position™ Shelf, Part # - SH-BRK (BRK Models only, cannot be installed with front or rear rackrail in the 3rd setback location - see below)
- Power Strip, refer to our catalog or middleatlantic.com for a complete listing
- Rear rackrail, Part # - RK-RRxx
- Smoked, tempered glass door, Part # - RK-GDxx
- Rear Access Panel, Part # - RK-RAPxx (Not available for 6 space racks)
- 100 CFM DC Fan Kit, Part # - DCFANKIT-4.

(Options not available for RK2 and RK4 models)

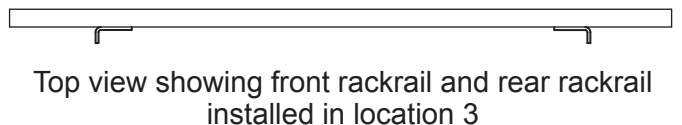
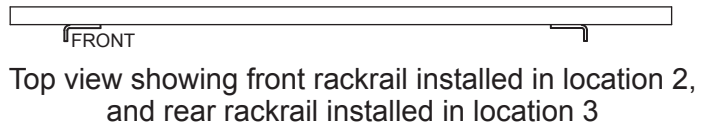
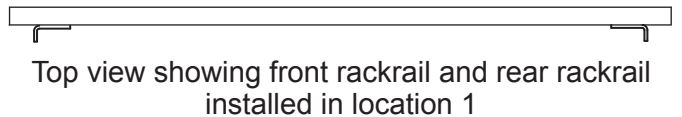
ASSEMBLY

- 1) Lay out the sides as shown and determine rail mounting requirements. The front rackrail comes pre-installed in mounting location 1.



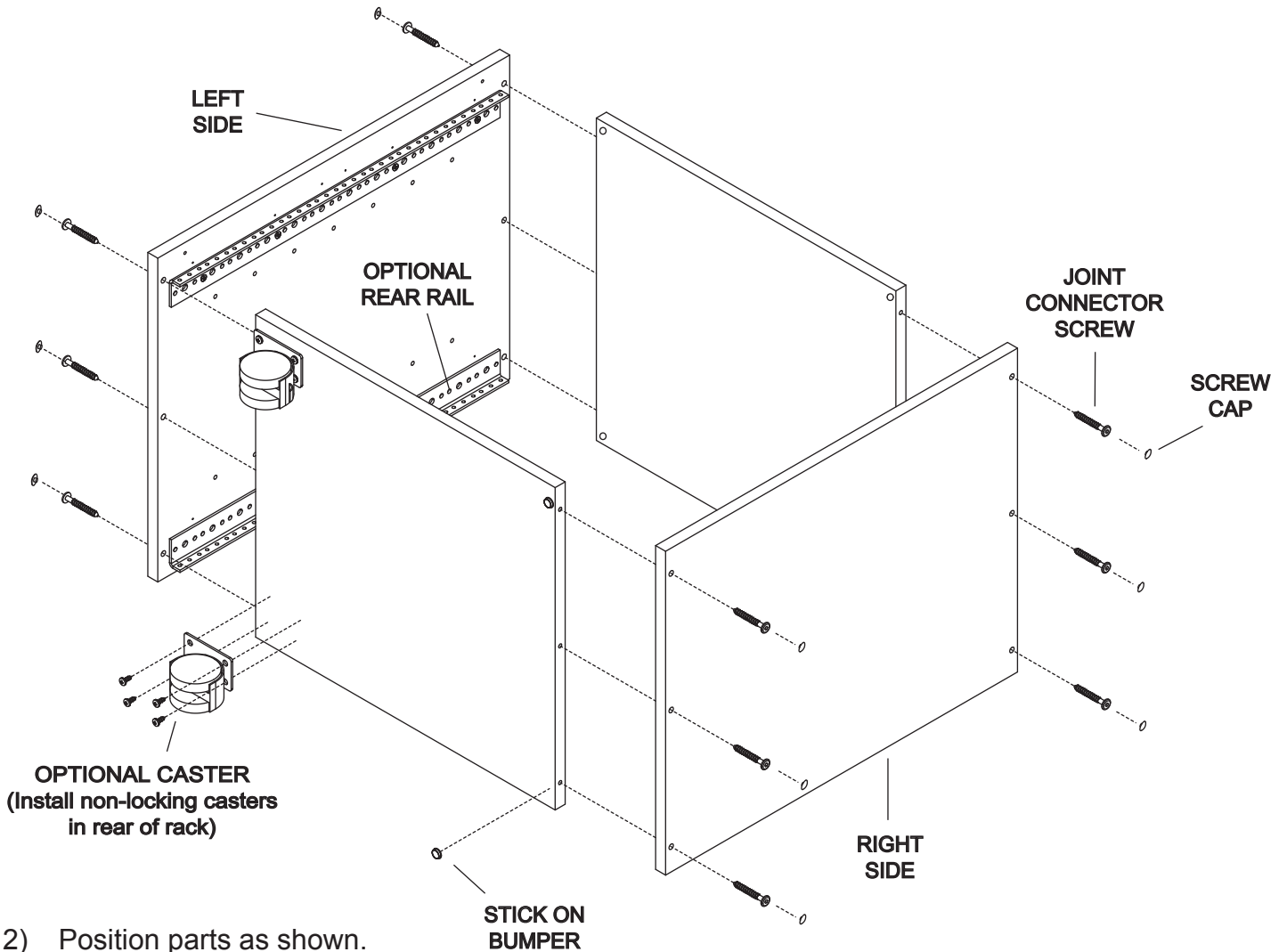
- If the Door (RK-GDxx) and the Rear Access Panel (RK-RAPx) are not being used, the front and rear rackrail can be installed in any one of the three mounting locations.

- If the Door (RK-GDxx) and the Rear Access Panel (RK-RAPx) are being used, the front rackrail must be installed in location two and the rear rackrail must be installed in location three.



TIP: When moving the front rackrail to the setback position, relocate and mount the rail on the opposite side of the panel to obscure the 1st set of mounting holes.

IF YOU ARE USING THE REAR RAIL OPTION, INSTALL NOW



- 2) Position parts as shown.
- 3) Place rack on its back for ease of assembly.
- 4) Assemble rack as shown with the hardware provided. Tighten screws after all are in place
TIP: Soap on screw threads eases assembly when a power driver is not used.
- 5) Install stick on bumpers when not using optional casters.
- 6) Install optional casters with non-locking casters to the rear (part # RKW).
(FIGURE A)
- 7) Assembly is complete. Stand rack upright and begin installing equipment.

OPTIONAL CASTER INSTALLATION (RKW)

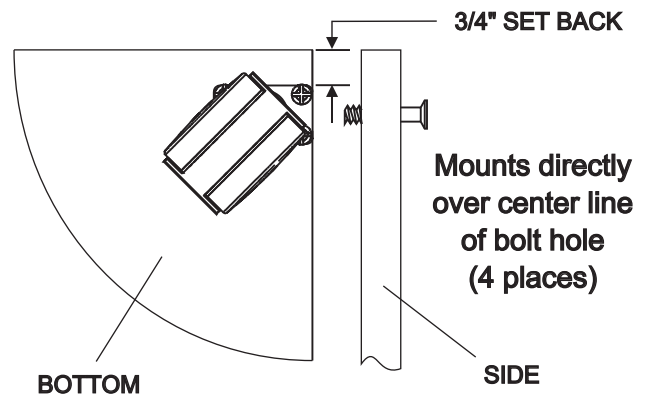
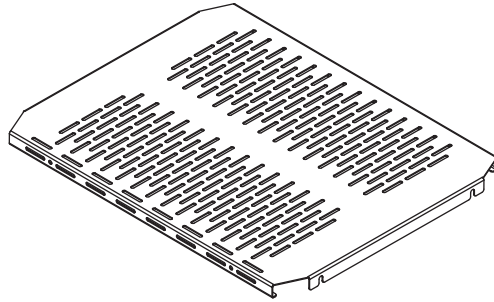


FIGURE A

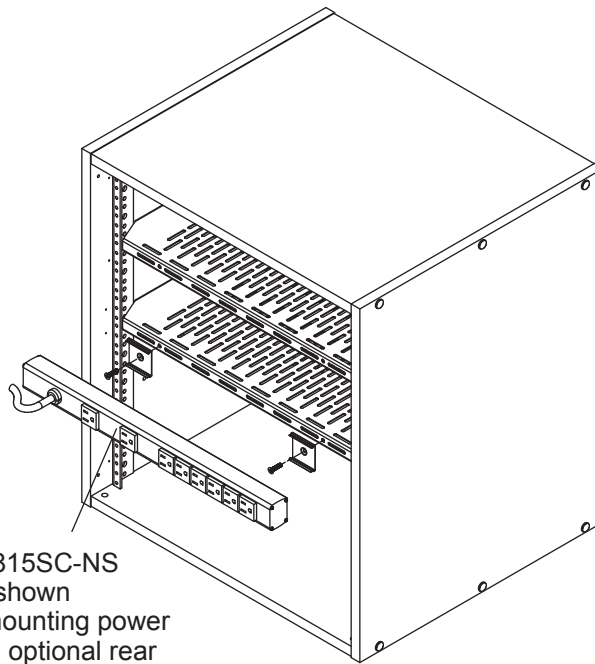
OPTIONS

Quick-Position™ Shelf (Part # SH-BRK) mounts without rack screws and accepts rear mounting of power (PD-815SC or PD-815SC-NS).



SH-BRK SHELF

NOTE: Shelves can be used with or without rackrail installed.



PD-815SC-NS
shown
(When mounting power
to shelf, optional rear
rackrail must be in setback
location 2. See **PAGE 3**)

REAR

NOTE: Rear Access Pan cannot be used if installing a power strip to the shelf.

OPTIONS

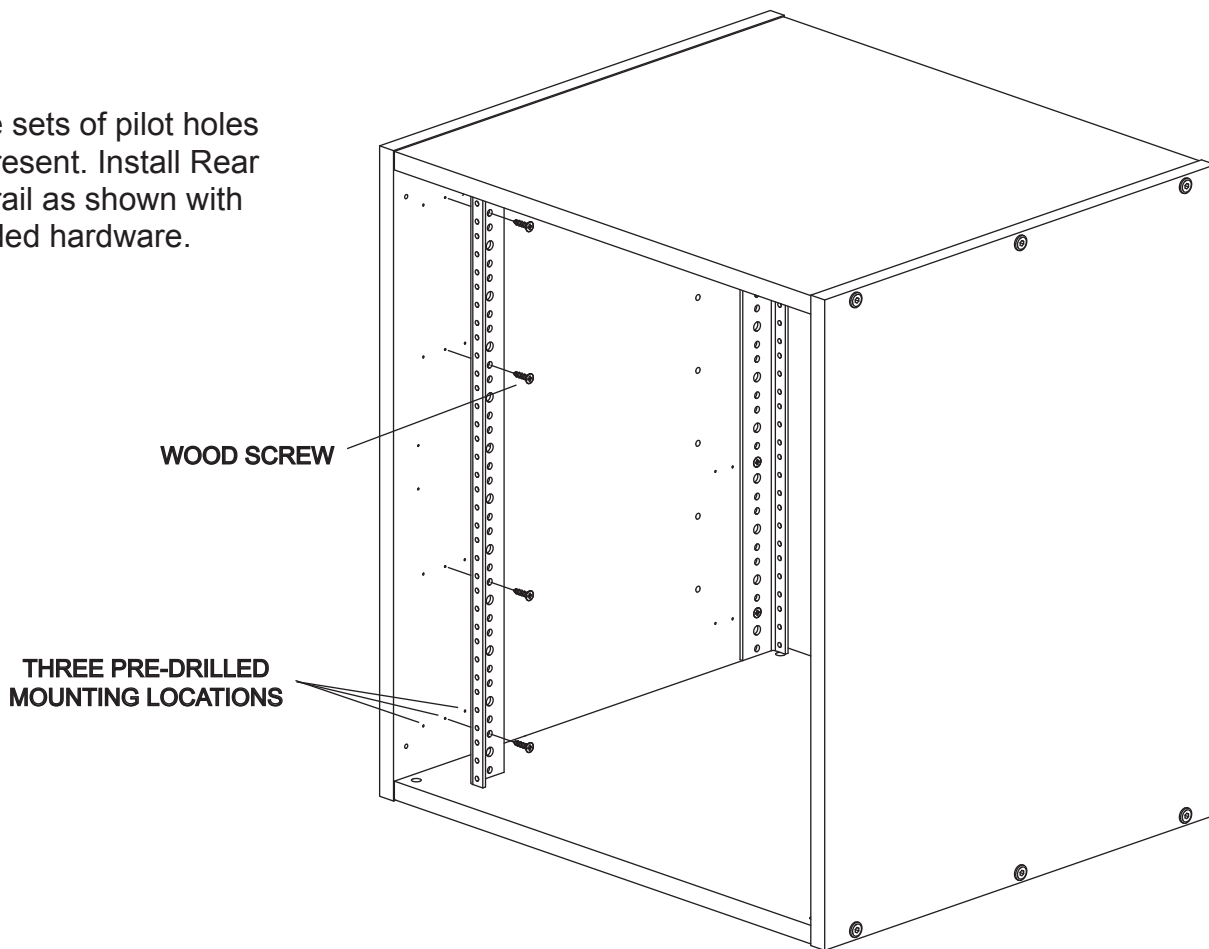
Rear Rackrail for equipment support and cable management. Part # RK-RRxx



REAR RACKRAIL

TIP: Rear Rackrail installation is easier prior to assembly of the rack, but can be installed after assembly if necessary. (SEE PAGE 3)

- 1) Three sets of pilot holes are present. Install Rear Rackrail as shown with provided hardware.

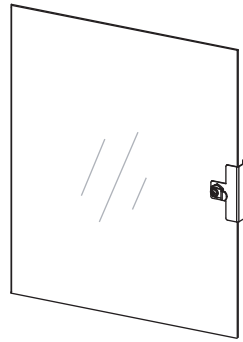


DID YOU KNOW?

Rear Rackrail provides support for mounted equipment and a location to mount cable management products such as Lacer Bars. Part # LBP-XX

OPTIONS

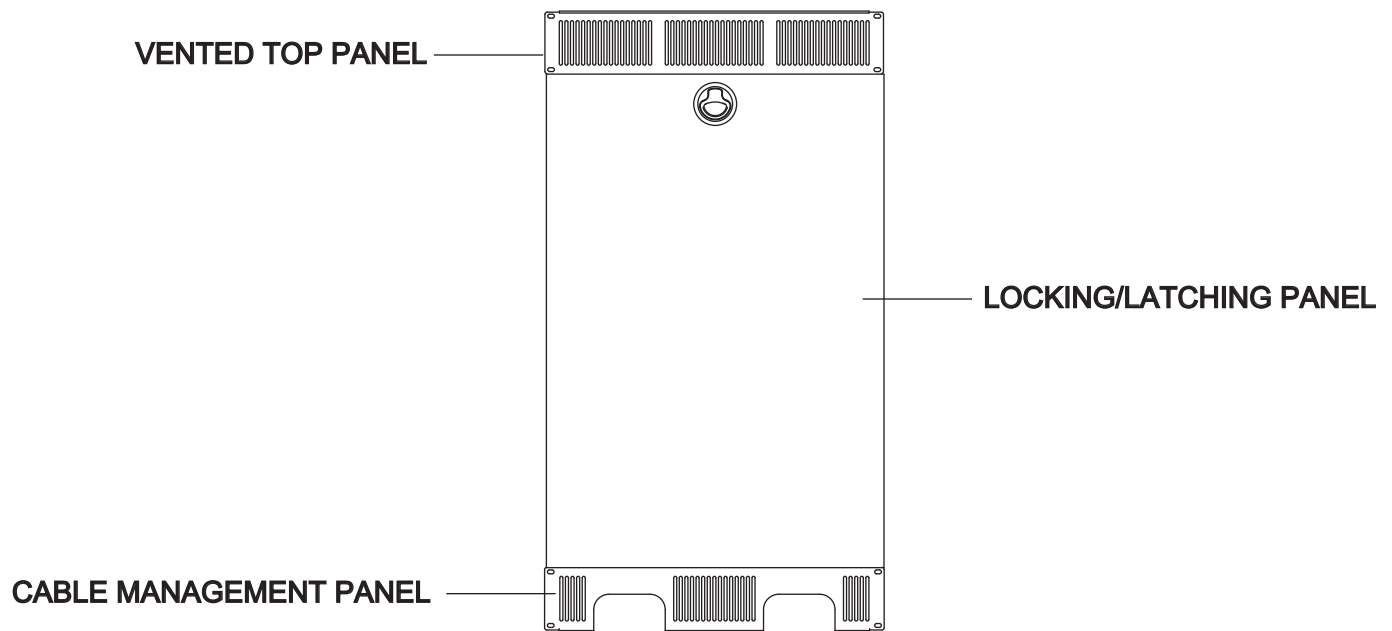
Smoked, Tempered Glass Door secures components and enhances appearance, part # RK-GDxx.



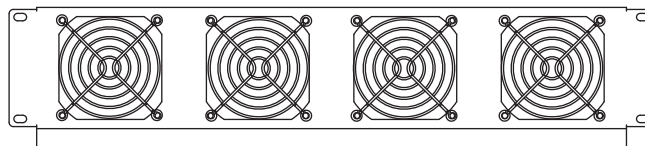
RK-GDxx

NOTE: Front Rackrail must be mounted in second setback position, see page 3.

Locking/latching panel, tips out for easy access. Provides cable entry and security, part # RK-RAPxx.



100 CFM DC Fan Kit. Mounts in the top of the Rear Access Panel, part # DCFANKIT-4.



WARRANTY

Middle Atlantic Products, Inc. (the "Company") warrants the RK/BRK Series Black Laminate Rack to be free from defects in material or workmanship under normal use and conditions for a period of (7) seven years from date of shipment by the Company.

The Company's entire liability to the purchaser, and the purchaser's (or any other party's) sole and exclusive remedy, under this warranty shall be limited, at the Company's option, to either (a) return of and refund of the price paid for, or (b) repair or replacement at the Company's factory of the products purchased, or any part or parts thereof, which the Company has determined to be defective after inspection thereof at the Company's factory.

This warranty does not cover damage due to acts of God, accident, misuse, abuse or negligence by parties other than the Company, or any modification or alteration of the products. In addition, this warranty does not cover damage due to improper handling, assembly, installation or maintenance.

THIS WARRANTY IS IN LIEU OF ALL OTHER WARRANTIES OF ANY KIND, EITHER EXPRESSED OR IMPLIED, INCLUDING, BUT NOT LIMITED TO, IMPLIED WARRANTIES OF MERCHANTABILITY AND FITNESS FOR A PARTICULAR PURPOSE.

TO THE MAXIMUM EXTENT PERMITTED BY APPLICABLE LAW, IN NO EVENT SHALL THE COMPANY BE LIABLE FOR ANY SPECIAL, INCIDENTAL, INDIRECT, OR CONSEQUENTIAL DAMAGES WHATSOEVER (INCLUDING, WITHOUT LIMITATION, DAMAGES FOR LOSS OF BUSINESS PROFITS, BUSINESS INTERRUPTION OR ANY OTHER PECUNIARY LOSS) ARISING OUT OF THE USE OF THE PRODUCTS PURCHASED, EVEN IF THE COMPANY HAS BEEN ADVISED OF THE POSSIBILITY OF SUCH DAMAGES. THE COMPANY'S LIABILITY TO THE PURCHASER (OR ANY OTHER PARTY) HEREUNDER, IF ANY, SHALL IN NO EVENT EXCEED THE PURCHASE PRICE OF THE PRODUCTS PAID TO THE COMPANY.

Corporate Headquarters

Corporate Voice 973-839-1011 - Fax 973-839-1976
International Voice +1 973-839-8821 - Fax +1 973-839-4982
middleatlantic.com - info@middleatlantic.com

Middle Atlantic Canada

Voice 613-836-2501 - Fax 613-836-2690
middleatlantic.ca - contactcanada@middleatlantic.com

Factory Distribution

USA: NJ - CA - IL Canada: ON - BC

At Middle Atlantic Products we are always listening. Your comments are welcome.

Middle Atlantic Products is an ISO 9001 Registered Company.

