

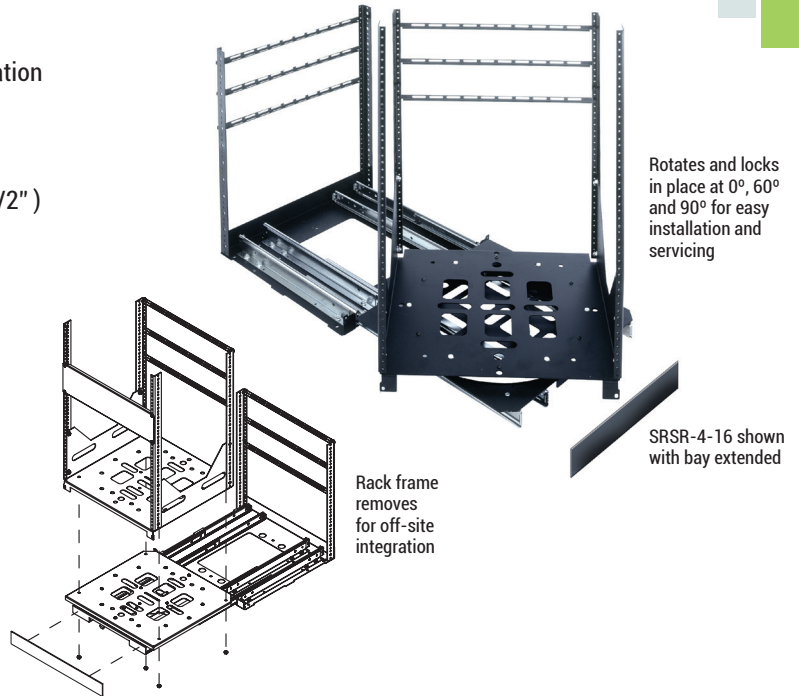
SRSR Series

SLIDING RAIL SYSTEM

pulls out and rotates 90° to provide convenient rear access to wiring and components

FEATURES:

- Pulls out and rotates for equipment servicing
- Detachable rack frame allows for off-site integration
- Simplifies equipment installation in cabinet
- Shortens installation & service time
- Available from 12 space (21") to 30 space (52-1/2")
- Available in 19" and 23" useable depths
- Rack locks in extended and rotated positions
- Integral cable management system provided
- Ball bearing slides allow smooth rollout
- Locks closed with included hardware
- Black brushed and anodized finish



SPECIFICATIONS:

EIA compliant 19" rotating slide-out equipment rack shall be Middle Atlantic Products model #SRSR-___(refer to chart). Overall dimensions of rack shall be 19.09" W x ___"H x ___" D with ___ useable rackspaces and a ___lb. weight capacity (refer to chart). Rack shall pull out (19" or 23", refer to chart) on integrated ball bearing slides and rotate 90° for equipment servicing. Detachable rack allows for off-site integration. Front mounted tab shall be used to rotate rack and lock into position. Front mounted lever shall lock rack in extended position. When rotating rack, locking detent shall allow rack to lock in place at 0°, 60° and 90°. Rackrail shall be 11-gauge steel with tapped 10-32 holes in universal EIA spacing. Rackrail shall be finished in black e-coat with marked rackspaces. SRSR rough-in pan shall be steel. Finish on SRSR assembly shall be a durable flat black powder coat. Trim/locking panel shall lock SRSR in closed position and be aluminum with a black brushed and anodized finish. SRSR shall be GREENGUARD Gold Certified. SRSR shall comply with the requirements of RoHS EU Directive 2011/65/EU compliant. SRSR shall be manufactured by an ISO 9001 and ISO 14001 registered company. SRSR shall be warranted to be free from defects in material or workmanship under normal use and conditions for a period of 3 years.

Customizable specification clips available at middleatlantic.com

EIA/TIA COMPLIANT



PRODUCT CERTIFIED FOR
LOW CHEMICAL EMISSIONS
UL.COM/GG
UL 2818



PEP
ECO
PASS
PORT®

OPTIONS:

- Optional full depth front and rear mount rackshelf shall be model # SH-SRSR
- Brush gasket shall require 19-5/8" rough-in opening width and shall be model # BG17
- Hide component mounting screws with black brushed and anodized trim strips, model # TA.

WHAT GREAT SYSTEMS ARE BUILT ON.™

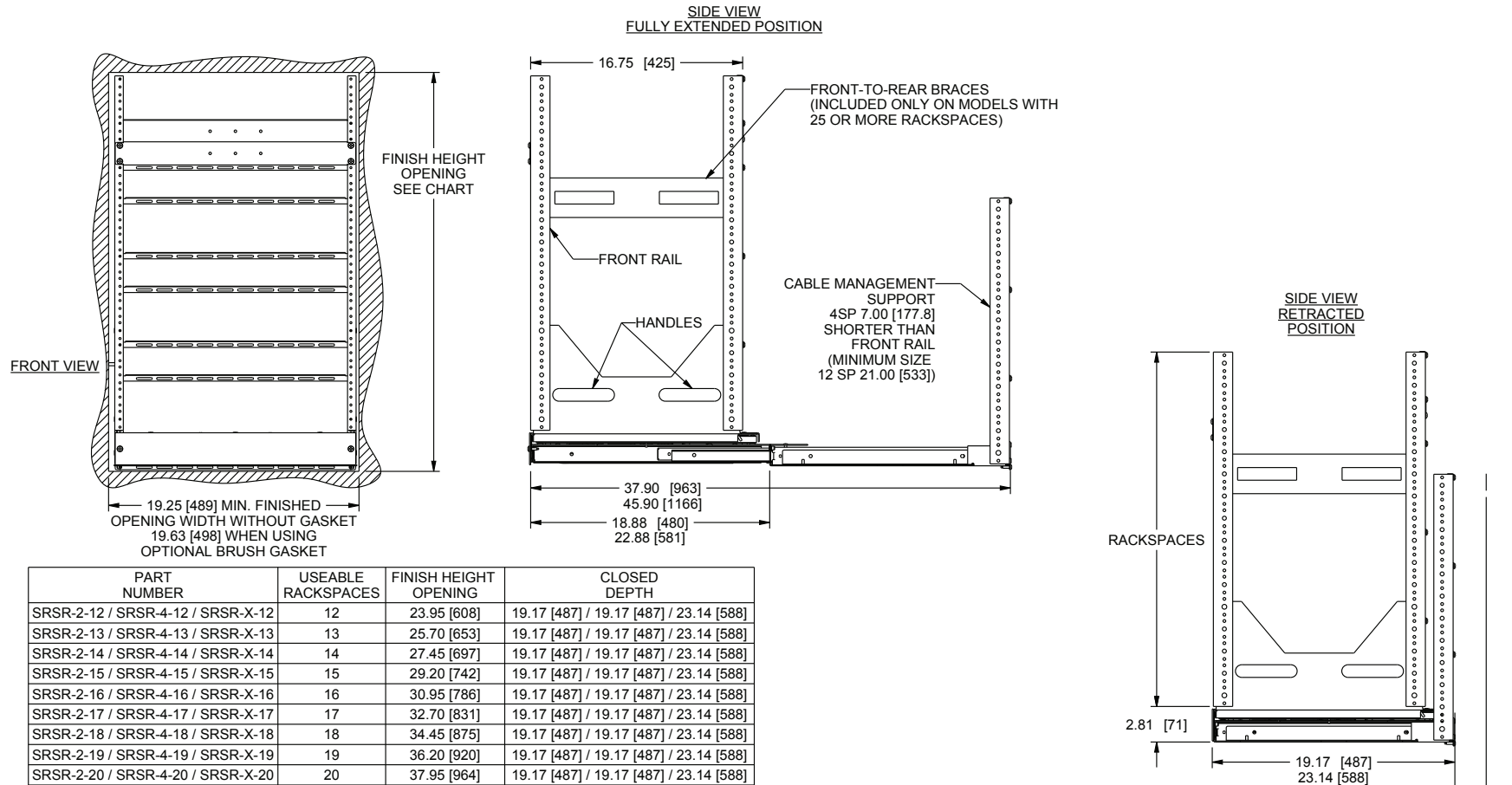
A brand of Legrand

Middle Atlantic Products
middleatlantic.com | middleatlantic.ca

96-985 / rev 1 / 1-28-19

SRSR Series

BASIC DIMENSIONS



PART NUMBER	USEABLE RACKSPACES	FINISH HEIGHT OPENING	CLOSED DEPTH
SRSR-2-12 / SRSR-4-12 / SRSR-X-12	12	23.95 [608]	19.17 [487] / 19.17 [487] / 23.14 [588]
SRSR-2-13 / SRSR-4-13 / SRSR-X-13	13	25.70 [653]	19.17 [487] / 19.17 [487] / 23.14 [588]
SRSR-2-14 / SRSR-4-14 / SRSR-X-14	14	27.45 [697]	19.17 [487] / 19.17 [487] / 23.14 [588]
SRSR-2-15 / SRSR-4-15 / SRSR-X-15	15	29.20 [742]	19.17 [487] / 19.17 [487] / 23.14 [588]
SRSR-2-16 / SRSR-4-16 / SRSR-X-16	16	30.95 [786]	19.17 [487] / 19.17 [487] / 23.14 [588]
SRSR-2-17 / SRSR-4-17 / SRSR-X-17	17	32.70 [831]	19.17 [487] / 19.17 [487] / 23.14 [588]
SRSR-2-18 / SRSR-4-18 / SRSR-X-18	18	34.45 [875]	19.17 [487] / 19.17 [487] / 23.14 [588]
SRSR-2-19 / SRSR-4-19 / SRSR-X-19	19	36.20 [920]	19.17 [487] / 19.17 [487] / 23.14 [588]
SRSR-2-20 / SRSR-4-20 / SRSR-X-20	20	37.95 [964]	19.17 [487] / 19.17 [487] / 23.14 [588]
SRSR-2-21 / SRSR-4-21 / SRSR-X-21	21	39.70 [1008]	19.17 [487] / 19.17 [487] / 23.14 [588]
SRSR-2-22 / SRSR-4-22 / SRSR-X-22	22	41.45 [1053]	19.17 [487] / 19.17 [487] / 23.14 [588]
SRSR-2-23 / SRSR-4-23 / SRSR-X-23	23	43.20 [1097]	19.17 [487] / 19.17 [487] / 23.14 [588]
SRSR-2-24 / SRSR-4-24 / SRSR-X-24	24	44.95 [1142]	19.17 [487] / 19.17 [487] / 23.14 [588]
SRSR-4-25 / SRSR-X-25	25 *	46.70 [1186]	19.17 [487] / 23.14 [588]
SRSR-4-26 / SRSR-X-26	26 *	48.45 [1231]	19.17 [487] / 23.14 [588]
SRSR-4-27 / SRSR-X-27	27 *	50.20 [1275]	19.17 [487] / 23.14 [588]
SRSR-4-28 / SRSR-X-28	28 *	51.95 [1320]	19.17 [487] / 23.14 [588]
SRSR-4-29 / SRSR-X-29	29 *	53.70 [1364]	19.17 [487] / 23.14 [588]
SRSR-4-30 / SRSR-X-30	30 *	55.45 [1408]	19.17 [487] / 23.14 [588]

- NOTES:
- 1) ALL DIMENSIONS IN FORMAT:
INCHES [MILLIMETERS]
 - 2) SOME DIMENSIONS ARE GIVEN FOR BOTH
SRSR AND SRSR-X IN THE FORM:
[SRSR-2, SRSR-4] / [SRSR-X]
 - 3) SIZES MARKED WITH A "*" ARE AVAILABLE
FOR SRSR-4 AND SRSR-X ONLY

RECOMMENDED:
LEAVE ADDITIONAL 1.5 [38] / 3.5 [89]
FOR CABLE CLEARANCE

WHAT GREAT SYSTEMS ARE BUILT ON.™

A brand of **legrand**

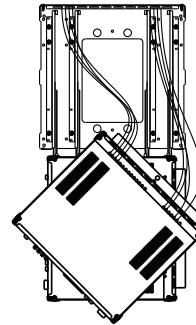
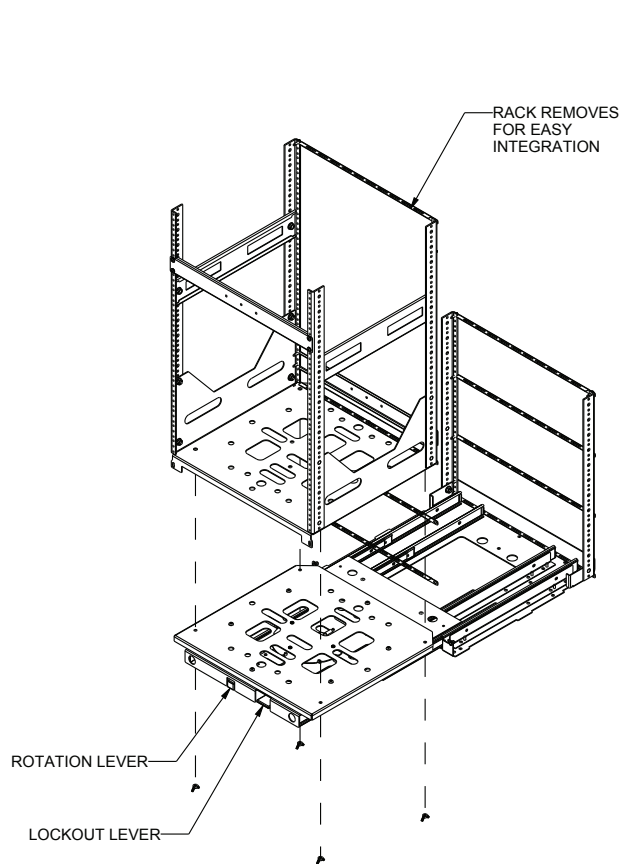
MA
Middle Atlantic Products
middleatlantic.com | middleatlantic.ca

SRSR Series

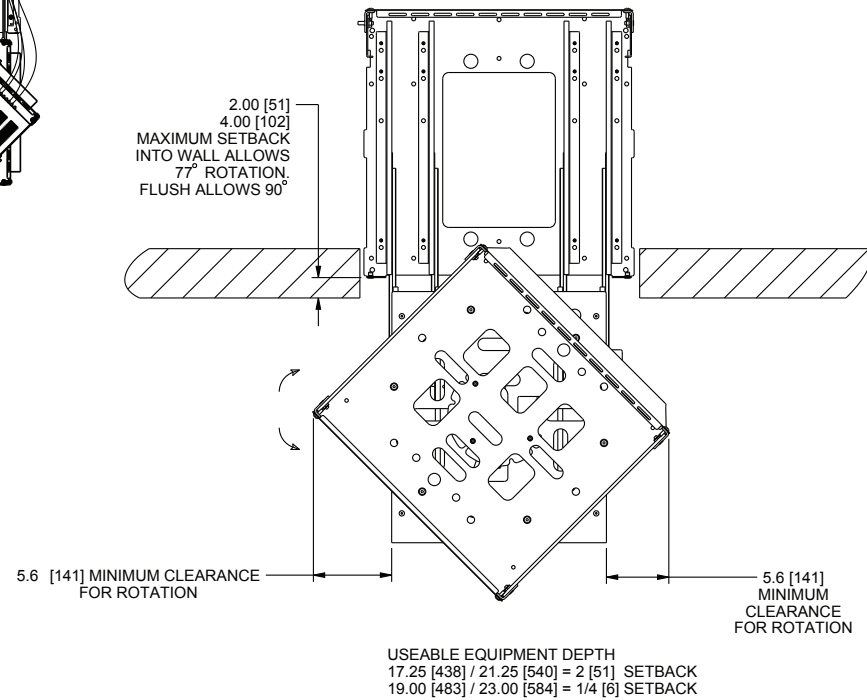
BASIC DIMENSIONS

NOTE(S):
1) ALL DIMENSIONS IN FORMAT:
INCHES [MILLIMETERS]

LOCKS IN PLACE,
AT 0°, 60° AND 90°
FOR EASY INSTALLATION
AND SERVICING.



TOP VIEW
OPEN, SHOWN ROTATED 45°



WHAT GREAT SYSTEMS ARE BUILT ON.™

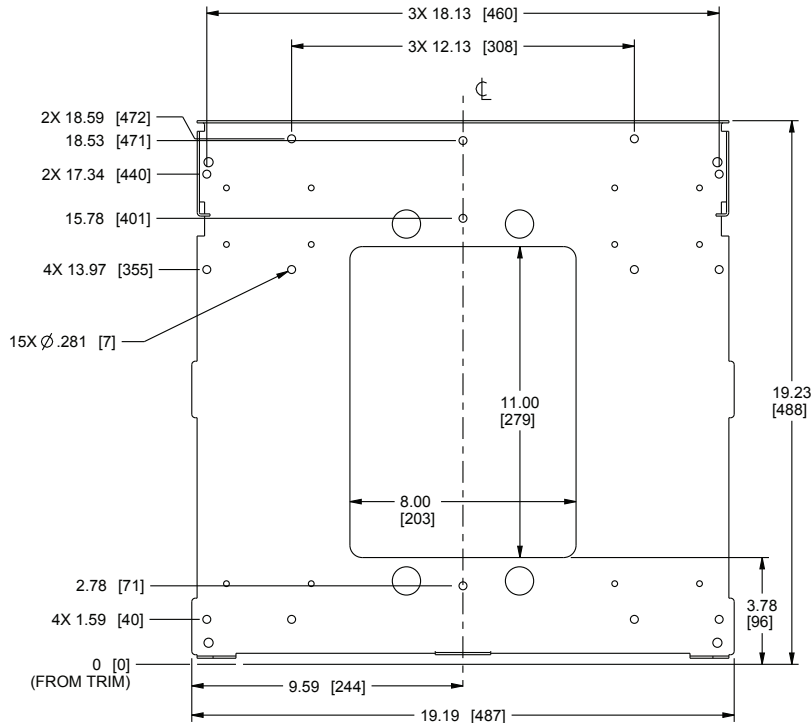
A brand of  **legrand**


Middle Atlantic Products
middleatlantic.com | middleatlantic.ca

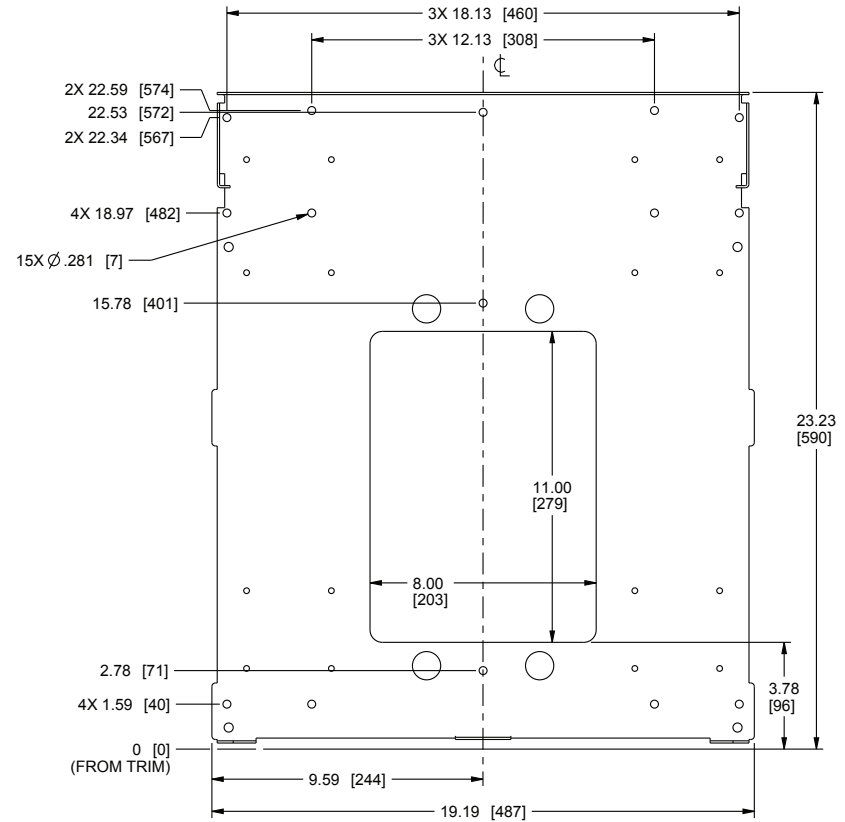
SRSR Series

BASIC DIMENSIONS

NOTE(S):
1) ALL DIMENSIONS IN FORMAT:
INCHES [MILLIMETERS]



FRONT
SRSR-2, SRSR-4 FOOTPRINT
(ONLY MOUNTING HOLES SHOWN)



FRONT
SRSR-X FOOTPRINT
(ONLY MOUNTING HOLES SHOWN)

WHAT GREAT SYSTEMS ARE BUILT ON.™

A brand of **legrand**

MA
Middle Atlantic Products
middleatlantic.com | middleatlantic.ca