

Motorized projection screen for wall or ceiling installations



Product specifications:

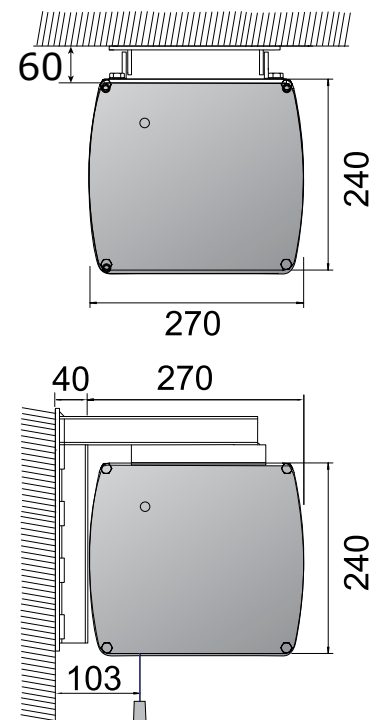
- Electrically operated projection screen 230 volt (50Hz) with a usage of no more than 1.04 Ampere (158.7 Watt).
- The motor is mounted on the left side and can be reached through a service hatch in the steel casing.
- The motor is mounted inside the roller, 65 cm long, 12 wire, 17 rotations per minute, maintenance free, integrated brake and thermal overload cut-out.
- The end positions are pre-set.
- The 4 wire connection is integrated into the end cap and can be connected to the electric installation with the connector and standard cable.
- Suitable for wall and ceiling mounting with mounting brackets which can be positioned 100cm from either endcap. Ceiling mounting brackets are supplied and wall brackets are optionally available.
- The steel casing (24x27cm) is galvanised on the inside and on the outside powder coated with a matte structure coating (RAL 7021).
- The screen fabrics are flame retardant and seamless in the viewing area.
- Each side of the surface to have tab guide cable system to maintain even lateral tension and hold surface flat.
- Custom slat bar with added weight maintains vertical tension on the screen surface. The ends of the slat to be protected by heavy duty plastic caps enclosing a preset adjustable mechanism for screen tensioning.
- The projection fabrics have a black backing.
- Standard 3 position wall switch is supplied.
- The projection screen is CE marked and satisfies the strictest quality and safety requirements.

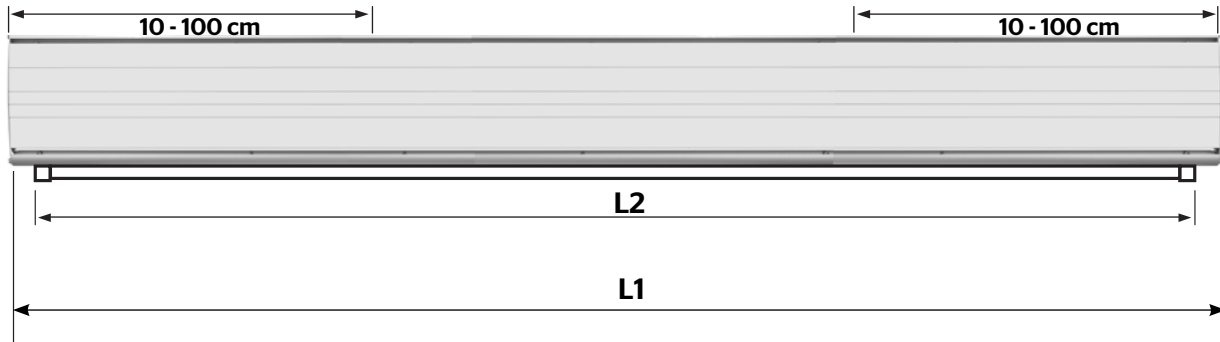
Aspect Ratios:



Available dimensions

Minimum width: 400 cm
 Maximum width: 600 cm





		Extensa		
		L1 mm	L2 mm	Weight (kg)
16:10	244 x 390	4434	4086	103
	275 x 440	4958	4606	114
	306 x 490	5486	5131	125
	338 x 540	6016	5659	136
	369 x 590	6550	6190	147
16:9/ UHD	219 x 390	4434	4072	103
	248 x 440	4958	4588	114
	276 x 490	5486	5107	125
	304 x 540	6016	5629	136
	332 x 590	6550	6154	147
4K	206 x 390	4434	4072	103
	232 x 440	4958	4588	114
	258 x 490	5486	5107	125
	284 x 540	6016	5629	136
	311 x 590	6550	6154	147

Bracket weight distribution

Please make sure the structure and mounting materials used are capable of carrying the weight of the screen. For safety please ensure each bracket can carry the full screen-weight. See chart for reference.

Accessories - control options

For projection screens with a standard motor / delivered as standard with a wall switch

- All-in-One Control Box
- Easy Install RF remote control (868,3 Mhz)
- Easy Install wireless projectorcoupling (868,3 Mhz)
- Easy Install wireless RF wall switch (868,3 Mhz)
- Easy Install RF remote control with projectorcoupling (868,3 Mhz)
- Easy Install projectorcoupling with cable (868,3 Mhz)
- Easy Install IR remote control (868,3 Mhz)
- Easy Install plug & play relaybox with potential free contacts (868,3 Mhz)
- Easy Install plug & play RS232/RS422 control kit
- Easy Install plug & play RS232/RS422 with IP control kit
- Keyswitch

Accessories - installation

- Ceiling brackets
- Wall brackets

Available standard resolution projection surfaces

All screen surfaces are seamless in the viewing area.

Matte White

Gain: 1.0
 Viewing Angle: 120°
 Base material: Vinyl
 Fire retardancy: B2
 Black backing: Yes
 Opacity rating: > 99 %
 Seamless: Yes
 GreenGuard certification: Yes

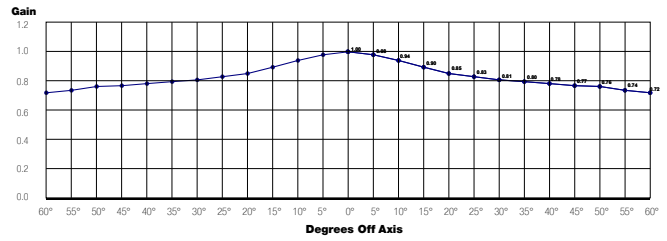


Standard: UL 2818 - 2013
 Standard for Chemical Emissions
 for Building Materials, Finishes and
 Furnishings

Certification number

Greenguard -
 5100-410

Greenguard Gold -
 5100-420



Certifications

- Products are manufactured in an ISO14001 certified facility
- Projecta is an ISO 9001 certified company
- REACH - Registration, Evaluation, Authorisation and Restriction of Chemical substances.
- RoHS - Restriction of Hazardous Substances.
- WEEE - Waste Electronic and Electrical Equipment Regulations.



Customisation

Give exact the sizes of the projection screen you need:

Viewing size: _____ Height (cm.) x _____ width (cm.)

Surface: _____ Border top: _____ (cm.) Border bottom: _____ (cm.)

RAL color case and plastic parts: RAL _____

Motor positioned on right side

Screen fabric mounted reversely

Remarks: _____

Available High Resolution projection surfaces

All screen surfaces are seamless in the viewing area.

HD PROGRESSIVE

HD Progressive 0.6

Gain: 0.6
 Viewing Angle: 170°
 Base material: Vinyl
 Fire retardancy: B2
 Black backing: Yes
 Opacity rating: > 99 %
 Seamless: Yes
 GreenGuard certification: Yes

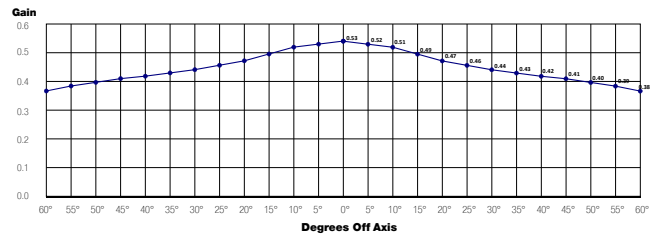


Standard: UL 2818 - 2013
 Standard for Chemical Emissions
 for Building Materials, Finishes and
 Furnishings

Certification number

Greenguard -
 11065-410

Greenguard Gold -
 11065-420



HD Progressive 0.9

Gain: 0.9
 Viewing Angle: 170°
 Base material: Vinyl
 Fire retardancy: B2
 Black backing: Yes
 Opacity rating: > 99 %
 Seamless: Yes
 GreenGuard certification: Yes

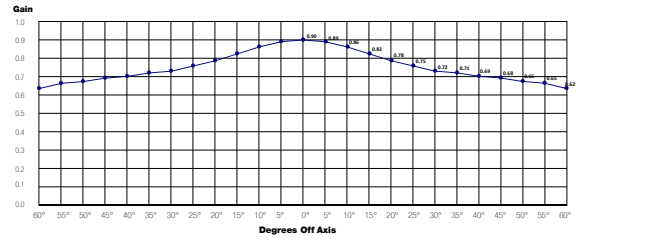


Standard: UL 2818 - 2013
 Standard for Chemical Emissions
 for Building Materials, Finishes and
 Furnishings

Certification number

Greenguard -
 11066-410

Greenguard Gold -
 11066-420



HD Progressive 1.1

Gain: 1.1
 Viewing Angle: 170°
 Base material: Vinyl
 Fire retardancy: B2
 Black backing: Yes
 Opacity rating: > 99 %
 Seamless: Yes
 GreenGuard certification: Yes

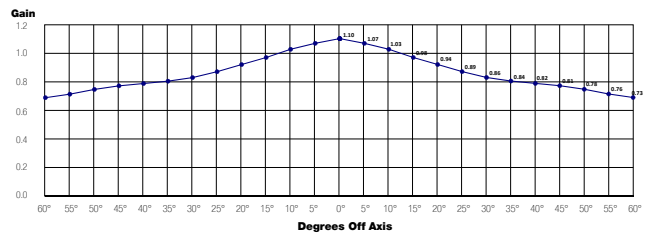


Standard: UL 2818 - 2013
 Standard for Chemical Emissions
 for Building Materials, Finishes and
 Furnishings

Certification number

Greenguard -
 11067-410

Greenguard Gold -
 11067-420



HD Progressive 1.3

Gain: 1.3
 Viewing Angle: 150°
 Base material: Vinyl
 Fire retardancy: B2
 Black backing: Yes
 Opacity rating: > 99 %
 Seamless: Yes
 GreenGuard certification: Yes

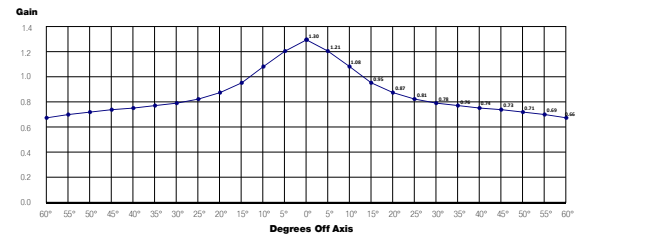


Standard: UL 2818 - 2013
 Standard for Chemical Emissions
 for Building Materials, Finishes and
 Furnishings

Certification number

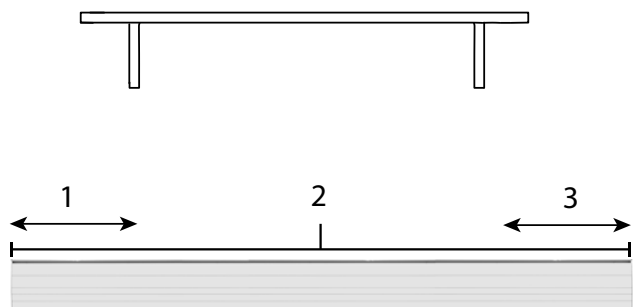
Greenguard -
 42729-410

Greenguard Gold -
 42729-420



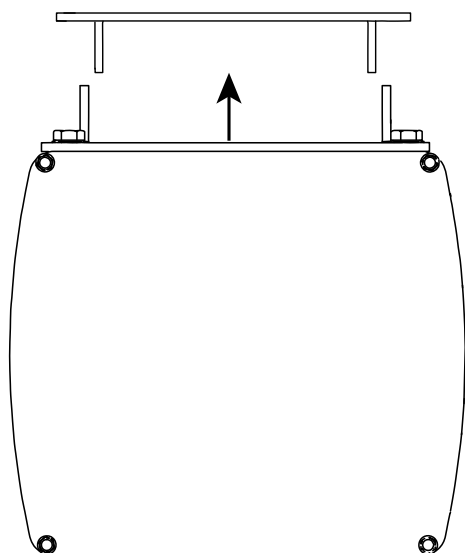
CEILING MOUNTING (included)

1. Define the position of the screen case on the ceiling. Position 2 ceiling brackets (A) within 10 to 100 cm of either end of the case and one approximately in the middle (case length /2 +/- 50 cm).

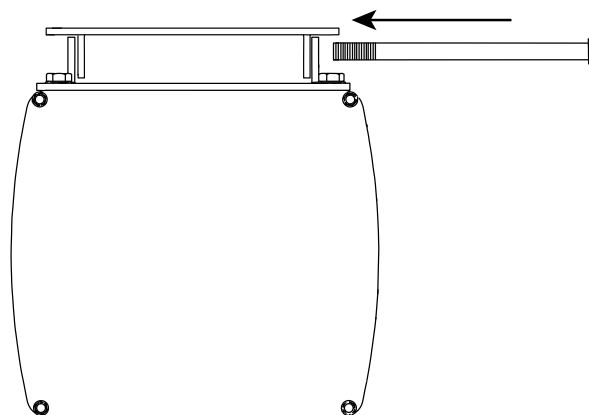


2. Move the sliding brackets on top of the case to match the exact positions of the 3 brackets on the ceiling.

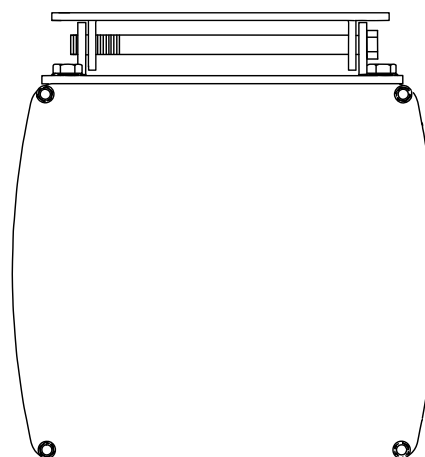
3. Raise the screen case to the height of the ceiling brackets. Make sure the sliding brackets on top of the case align with the ceiling brackets.



4. When the sliding bracket on the case and the ceiling bracket align, take the security bolt (B) and screw in place.



5. Tighten the security bolt on all 3 brackets until the case is fully secured.



6. **Please note!** Remove transport-safety brackets from the slatbar before operating the screen.

Warranty

Projecta provides a limited 5 year warranty on the Elpro Concept range and a limited 2 year warranty on all other products. The warranty on the motor of electrical screens is 5 year. All warranties are in effect beginning the date the product was invoiced by Projecta.