



VIDEO 18

**GREATER PAYLOAD. CHECK
SMOOTH OPERATION. CHECK
SAME GREAT PRICE. CHECK**

JUST WHEN YOU THOUGHT WE COULDN'T GET ANY BETTER, WE PRESENT THE SACHTLER VIDEO 18 S2

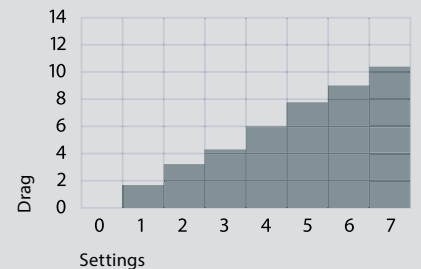
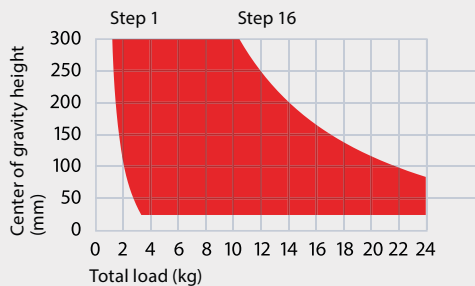
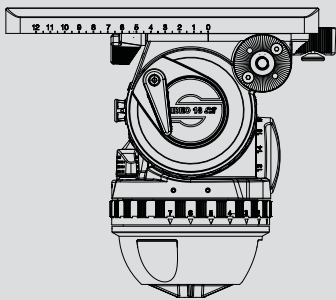
As the only head in this class that offers fully functional smooth head operation at **-40°C to +60°C**, the Sachtler Video 18 S2 features the ability to support a full ENG Rig with up to **20 kg (44.1 lbs)** while offering a super smooth drag performance.

WHY CHOOSE THE VIDEO 18 S2

For decades, the sturdy fluid head Video 18 has had a place in the equipment list of successful EFP and EB cameramen. Thanks to the excellent drag mechanism, the innovative Speedbalance technology for swift weight compensation and the large payload range, this best-seller is not only comfortable to use, but above all, highly reliable. It comes with typical Sachtler features like temperature resistance, Touch & Go plate, parking position for spare camera screws and illuminated spirit level.

Your Video 18 S2 will help you capture the perfect shot in any circumstance. With a set up that takes seconds to erect and adjust, your Video 18 S2 supports your camera and accessories in the perfect position, and for however long you wish, so you can take images that will be shared and remembered.

THE SACHTLER 18 S2 FLUID HEAD - SUPER SMOOTH PERFORMANCE FOR AN EVEN GREATER PAYLOAD AT THE SAME GREAT PRICE



SEE HOW OUR CUSTOMERS USE THE HEAD
VIDEO18S2.SACHTLER.COM

