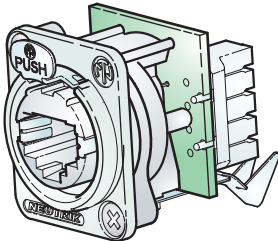




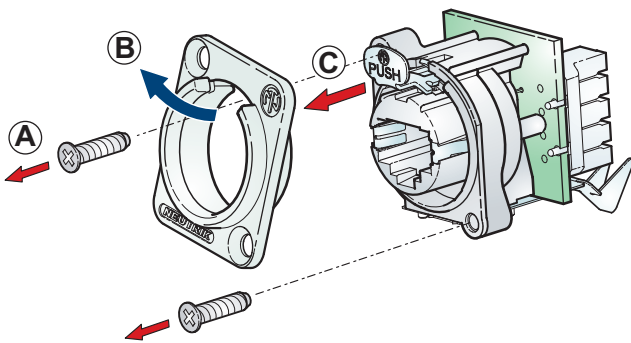
# ASSEMBLY INSTRUCTION

## etherCON - SE8FD | "Waterproof Kit" for the Receptacle

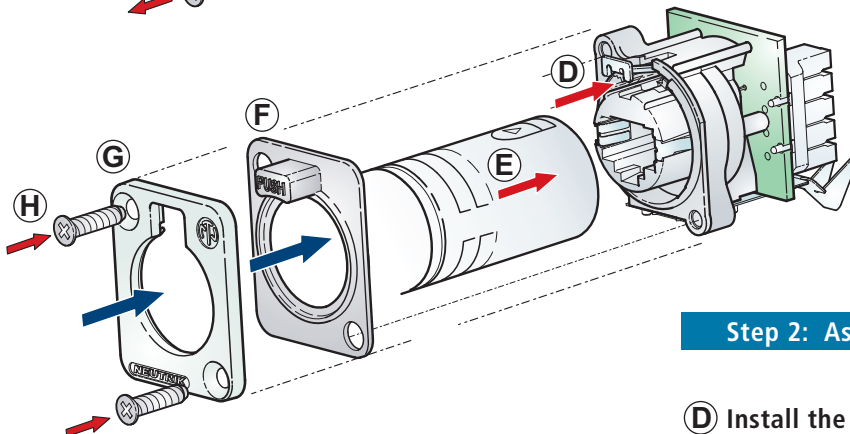
### Standard version:



### Step 1: Separate the connector



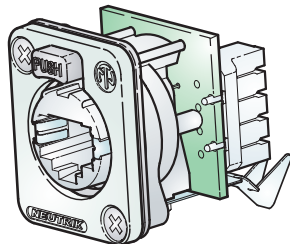
- A** Untighten the screw.
- B** Remove the flange.
- C** Pull out the "Push".



### Step 2: Assembly of SE8FD (KIT)

- D** Install the new "Push" into the housing.
- E** Position a cable housing for centering the kit.
- F** Position the rubber gasket.
- G** Finish the installation by mount the flange and
- H** fasten the screw.

### Kit with SE8FD:



### NOTE:

Lubricate sealing lip with silicon from time to time.

NEUTRIK AG  
NEUTRIK Zürich AG  
NEUTRIK USA Inc.  
NEUTRIK (UK) Ltd.

LI T: +423 / 237 24 24 F: +423 / 232 53 93  
CH T: +41 44 / 736 5010 F: +41 44 / 736 5011  
USA T: +1 732 / 901 9488 F: +1 732 / 901 9608  
UK T: +44 1983 / 811 441 F: +44 1983 / 811 439

NEUTRIK Vertriebs GmbH DE/NL/AT T: +49 8131 / 280 890 F: +49 8131 / 280 830  
NEUTRIK France FR T: +33 1 / 4131 6750 F: +33 1 / 4131 0511  
NEUTRIK Tokyo Ltd. JP T: +81 3 / 3663 4733 F: +81 3 / 3663 4796  
NEUTRIK Hong Kong Ltd. HK T: +852 / 2687 6055 F: +852 / 2687 6052