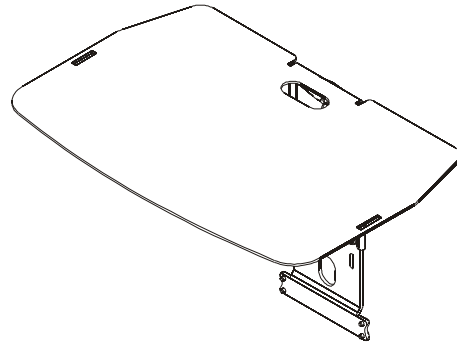
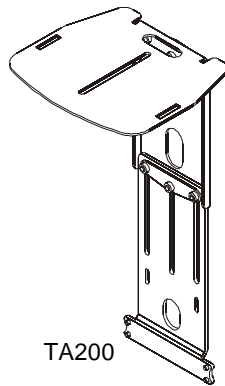
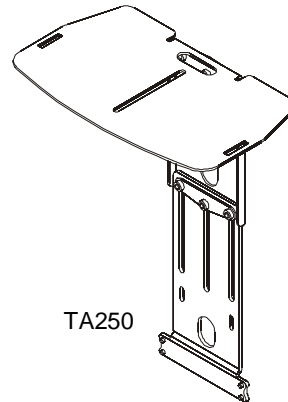

INSTALLATION INSTRUCTIONS



TA100



TA200



TA250

Video Conferencing and Component Shelves

DISCLAIMER

Milestone AV Technologies and its affiliated corporations and subsidiaries (collectively "Milestone"), intend to make this manual accurate and complete. However, Milestone makes no claim that the information contained herein covers all details, conditions or variations, nor does it provide for every possible contingency in connection with the installation or use of this product. The information contained in this document is subject to change without notice or obligation of any kind. Milestone makes no representation of warranty, expressed or implied, regarding the information contained herein. Milestone assumes no responsibility for accuracy, completeness or sufficiency of the information contained in this document.

Chief® is a registered trademark of Milestone AV Technologies. All rights reserved.

! IMPORTANT SAFETY INSTRUCTIONS!

! WARNING: A WARNING alerts you to the possibility of serious injury or death if you do not follow the instructions.

! CAUTION: A CAUTION alerts you to the possibility of damage or destruction of equipment if you do not follow the corresponding instructions.

! WARNING: Failure to read, thoroughly understand, and follow all instructions can result in serious personal injury, damage to equipment, or voiding of factory warranty! It is the installer's responsibility to make sure all components are properly assembled and installed using the instructions provided.

! WARNING: Failure to provide adequate structural strength for this component can result in serious personal injury or damage to equipment! It is the installer's responsibility to make sure the structure to which this component is attached can support five times the combined weight of all equipment. Reinforce the structure as required before installing the component.

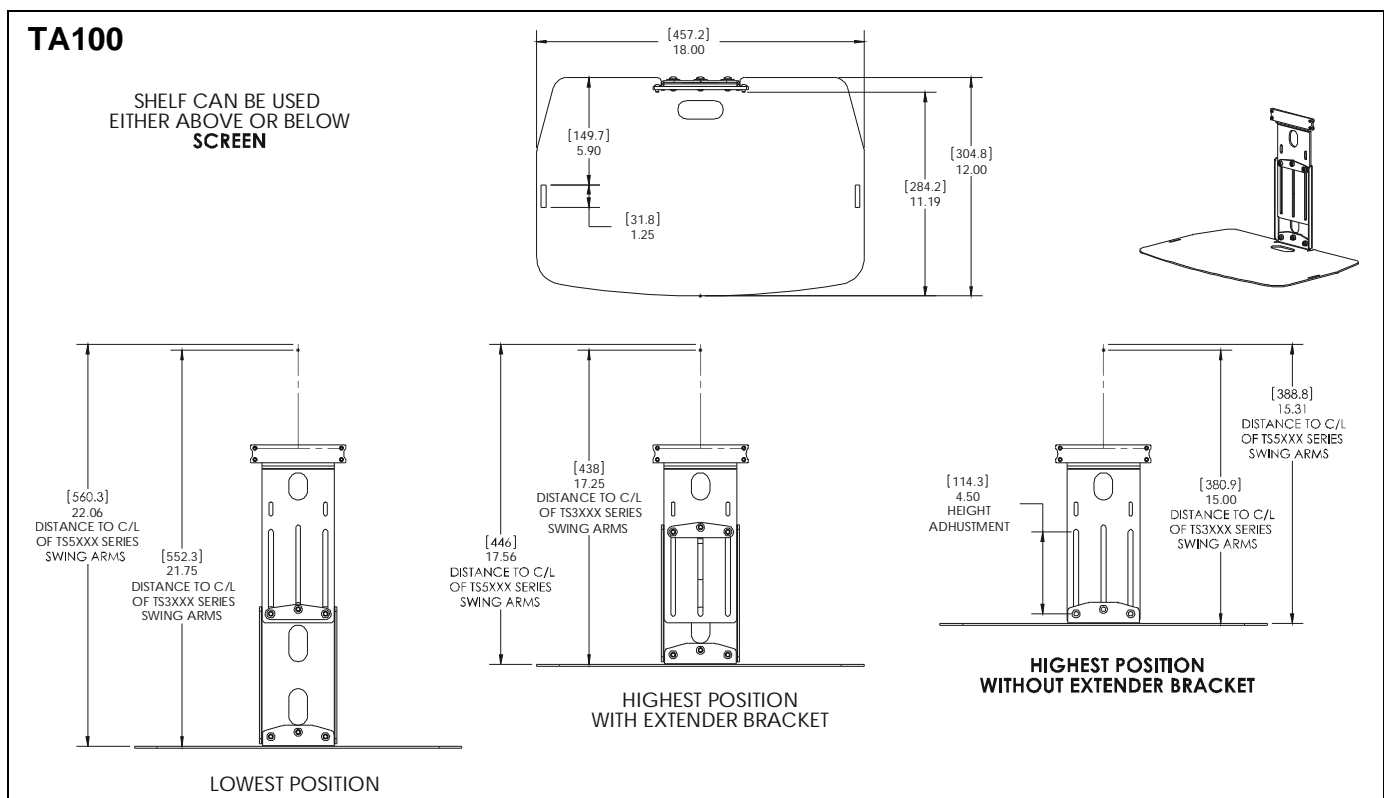
! WARNING: Exceeding the weight capacity can result in serious personal injury or damage to equipment! It is the installer's responsibility to make sure the combined weight of all equipment and accessories mounted on each TA100/200/250 shelf does not exceed 10 lbs (4.54 kg) per shelf.

! WARNING: RISK OF INJURY TO PERSONS! Do not use this mounting system to support video equipment such as televisions or computer monitors.

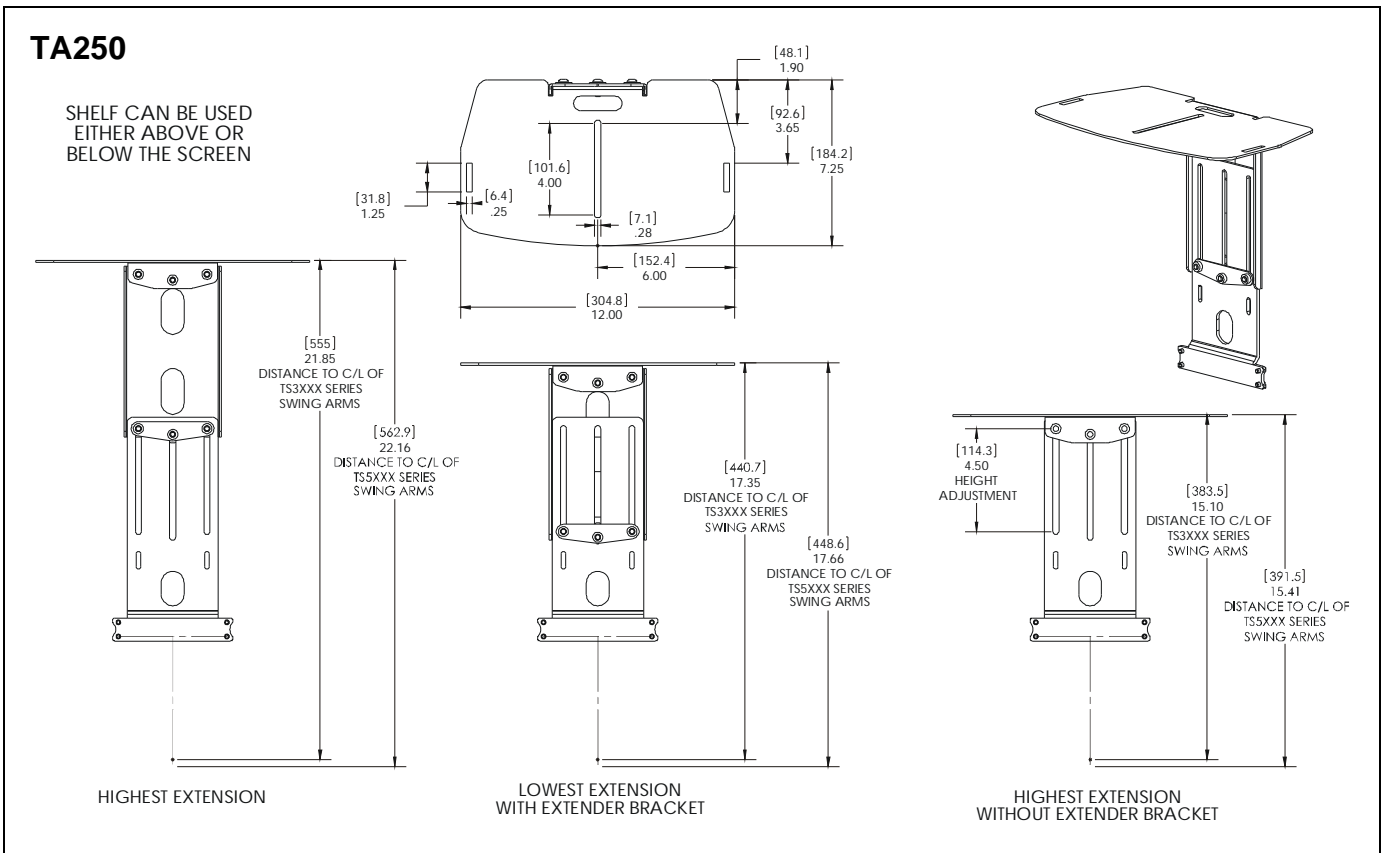
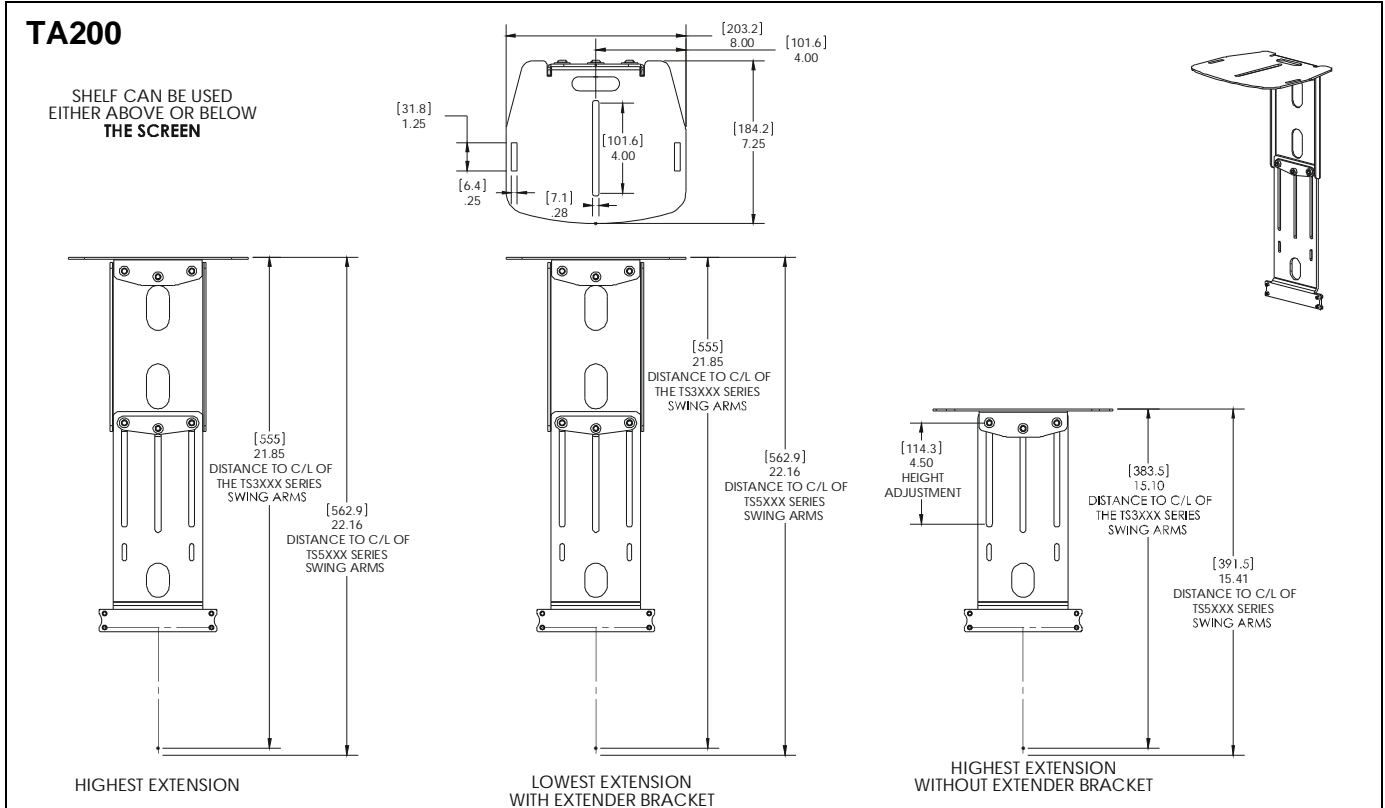
! WARNING: Do not use this product outdoors.

--SAVE THESE INSTRUCTIONS--

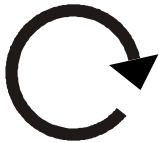

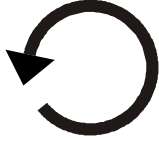









DIMENSIONS



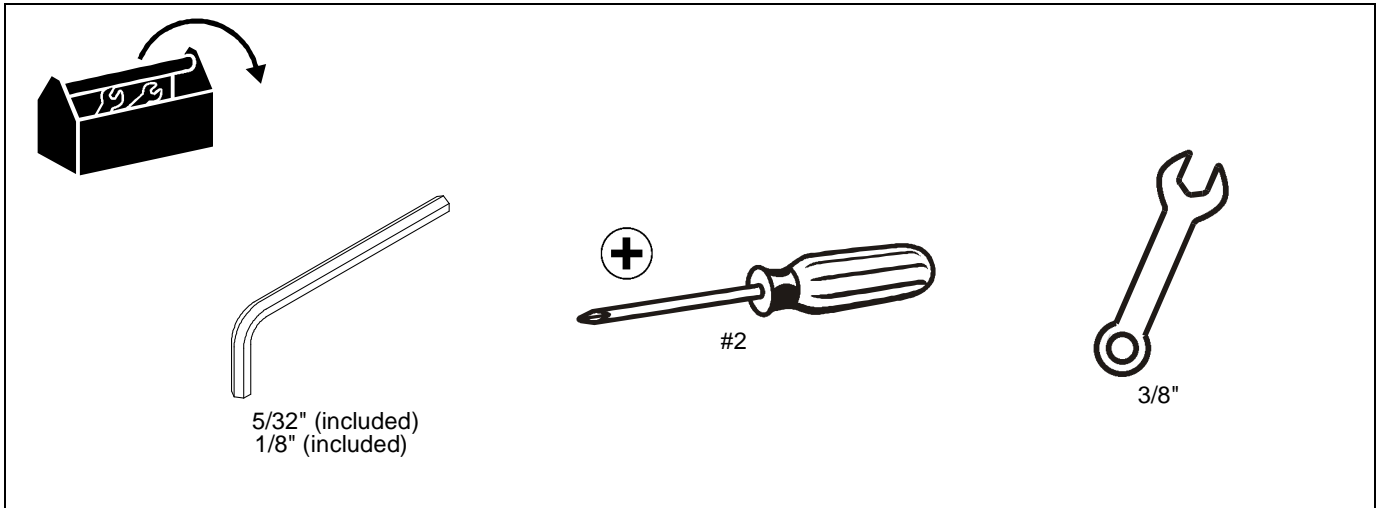
DIMENSIONS (CONTINUED)



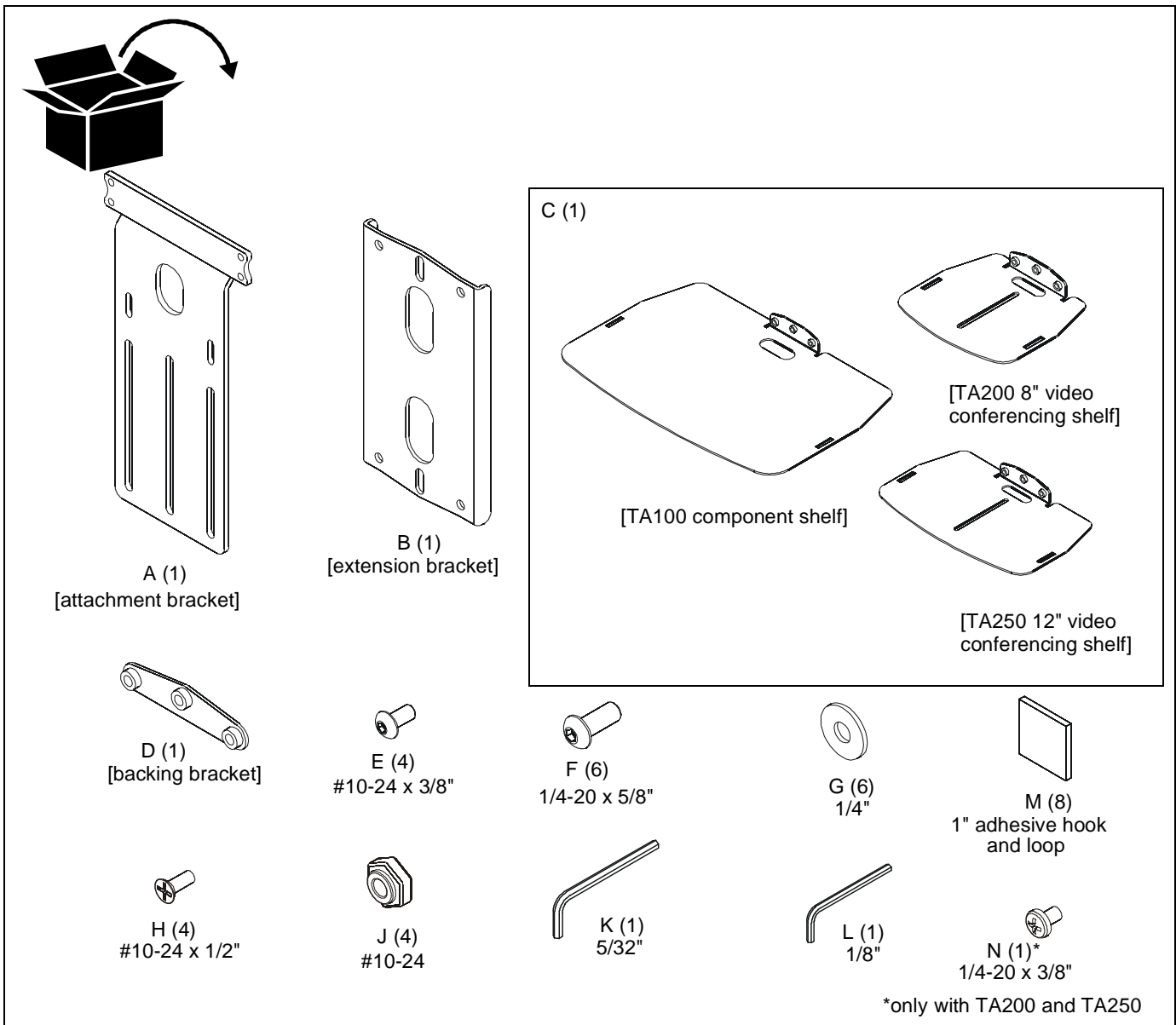
LEGEND

	Tighten Fastener Apretar elemento de fijación Befestigungsteil festziehen Apertar fixador Serrare il fissaggio Bevestiging vastdraaien Serrez les fixations		Pencil Mark Marcar con lápiz Stiftmarkierung Marcar com lápis Segno a matita Potloodmerkten Marquage au crayon
	Loosen Fastener Aflojar elemento de fijación Befestigungsteil lösen Desapertar fixador Allentare il fissaggio Bevestiging losdraaien Desserrez les fixations		Drill Hole Perforar Bohrloch Fazer furo Praticare un foro Gat boren Percez un trou
	Phillips Screwdriver Destornillador Phillips Kreuzschlitzschraubendreher Chave de fendas Phillips Cacciavite a stella Kruiskopschroevendraaier Tournevis à pointe cruciforme		Adjust Ajustar Einstellen Ajustar Regolare Afstellen Ajuster
	Open-Ended Wrench Llave de boca Gabelschlüssel Chave de bocas Chiave a punte aperte Steeksleutel Clé à fourche		Remove Quitar Entfernen Remover Rimuovere Verwijderen Retirez
	By Hand A mano Von Hand Com a mão A mano Met de hand À la main		Optional Opcional Optional Opcional Opzionale Optie En option
	Hex-Head Wrench Llave de cabeza hexagonal Sechskantschlüssel Chave de cabeça sextavada Chiave esagonale Zeskantsleutel Clé à tête hexagonale		Security Wrench Llave de seguridad Sicherheitsschlüssel Chave de segurança Chiave di sicurezza Veiligheidsleutel Clé de sécurité

TOOLS REQUIRED FOR INSTALLATION



PARTS



Installation

Shelf Assembly

1. Use three 1/4-20 x 5/8" button head cap screws (F) and three 1/4" washers (G) to connect shelf (C) to either extension bracket (B) or attachment bracket (A). (See Figure 1)

NOTE: Use extension bracket (B) for larger displays or if component needs to be mounted further from the display.

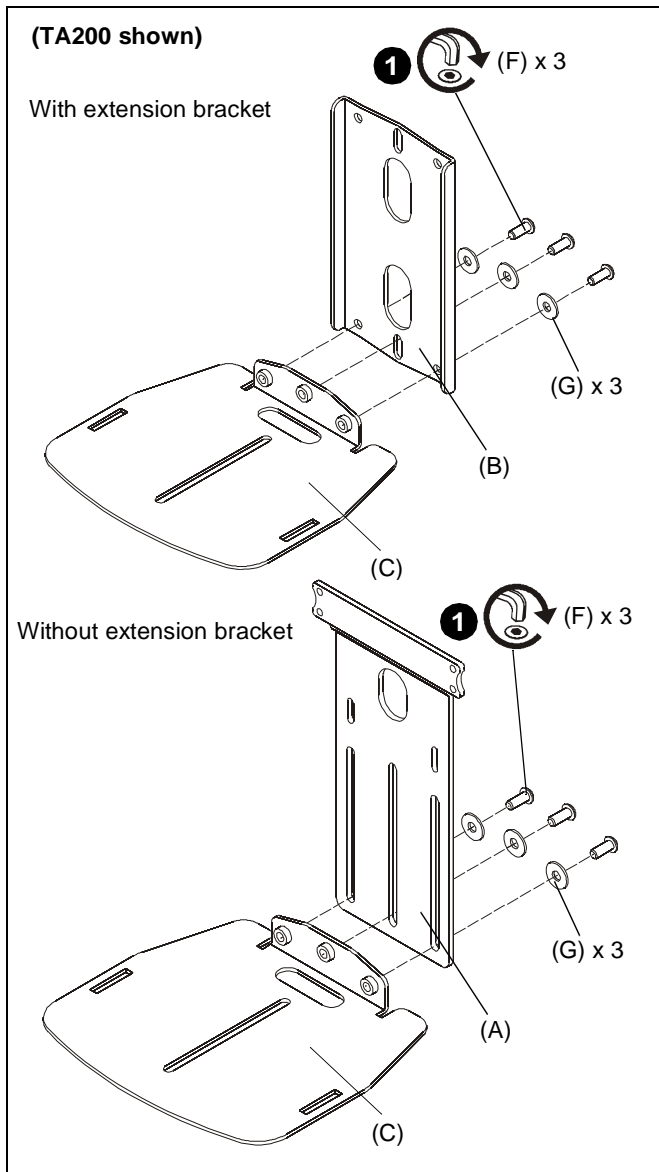


Figure 1

2. If using extension bracket, use three 1/4-20 x 5/8" button head cap screws (F) and three 1/4" washers (G) to attach extension bracket (B) to attachment bracket (A). (See Figure 2)

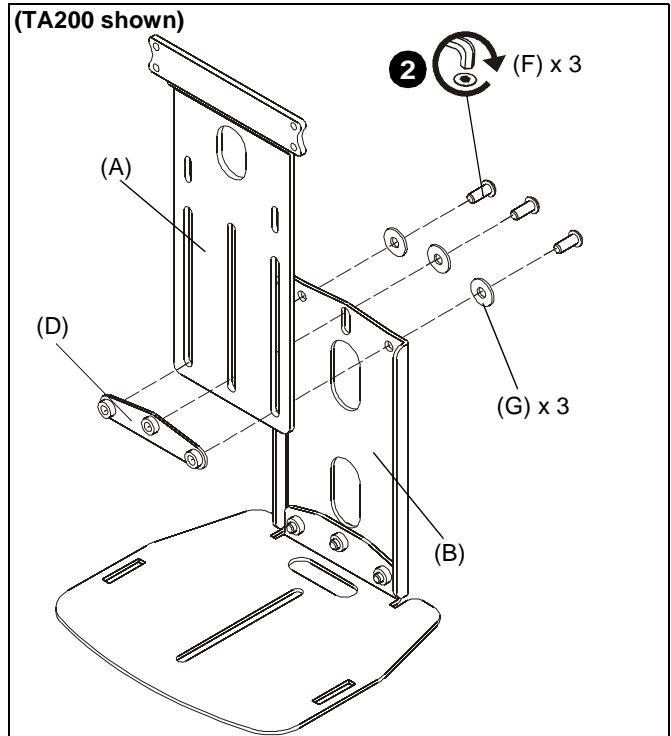


Figure 2

Installation to Faceplate

TS525 or iCF50 Installation

NOTE: Display does NOT have to be removed for shelf installation.

1. Use four #10-24 x 3/8" button head cap screws (E) to connect attachment bracket (A) to swing arm faceplate. (See Figure 3) and (See Figure 4)

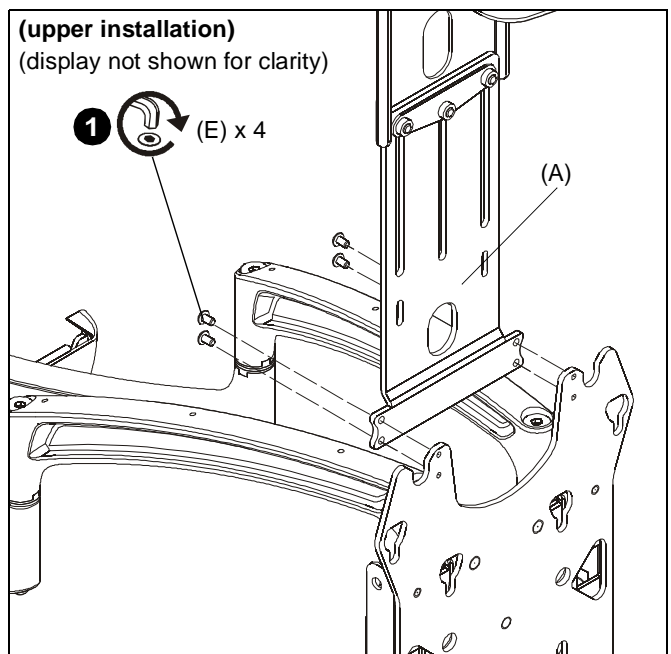


Figure 3

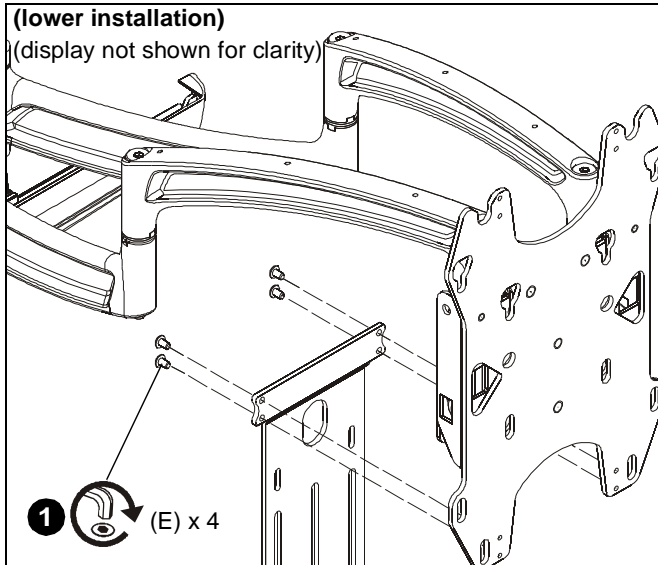


Figure 4

TS3XX or iCF30 Installation

1. If already installed, remove display from faceplate. See swing arm installation instructions for details.
2. Use four #10-24 x 1/2" Phillips head cap screws (H) and four #10-24 lock nuts (J) to connect attachment bracket (A) to faceplate. (See Figure 5) and (See Figure 6)

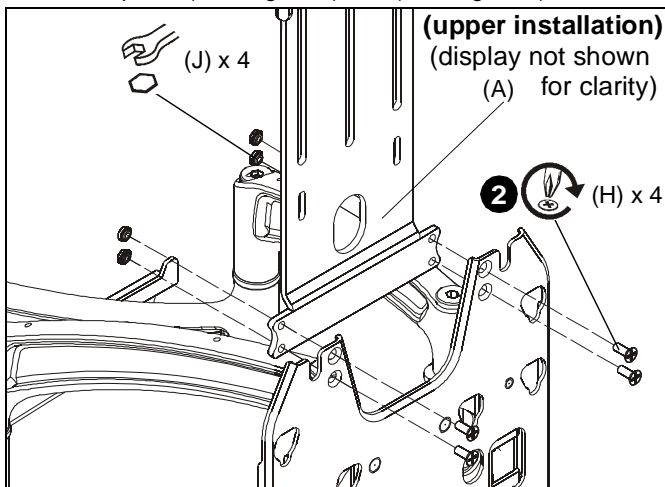


Figure 5

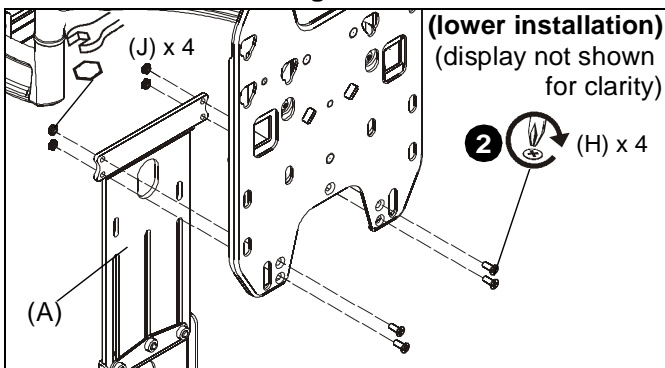


Figure 6

3. Reinstall display to faceplate. See swing arm installation instructions for details.

NOTE: If also installing side speaker brackets (TA300), attachment bracket (A) should also be attached to TA300 horizontal brackets for additional support. Use hardware provided with TA300. (See Figure 7)

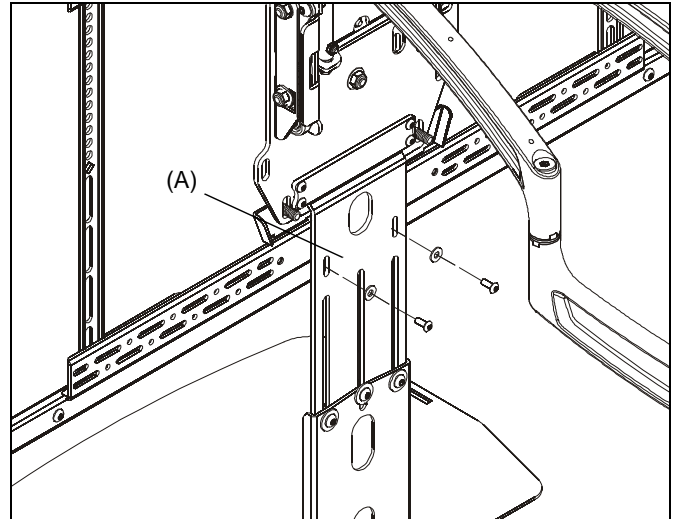


Figure 7

Camera/Component Installation



WARNING: Exceeding the weight capacity can result in serious personal injury or damage to equipment! It is the installer's responsibility to make sure the combined weight of all equipment and accessories mounted on the TA100/200/250 shelves does not exceed 10 lbs (4.54 kg) per shelf.

NOTE: Mounting options will vary depending on the type of camera being mounted.

NOTE: Camera or component can also be secured to mount by threading cable ties or a PAC103 safety strap (not included) through outside slots on shelf and around the device.

Using Adhesive Squares

1. Use up to eight adhesive hook and loop squares (M) to secure camera or component to shelf. Attach adhesive squares to bottom of camera first and then attach corresponding squares to shelf when the exact mounting location has been determined.

Using Screw (TA200/250 only)

2. Install 1/4-20 x 3/8" Phillips pan machine screw (N) through mounting slot and into hole on bottom of camera. (See Figure 8)

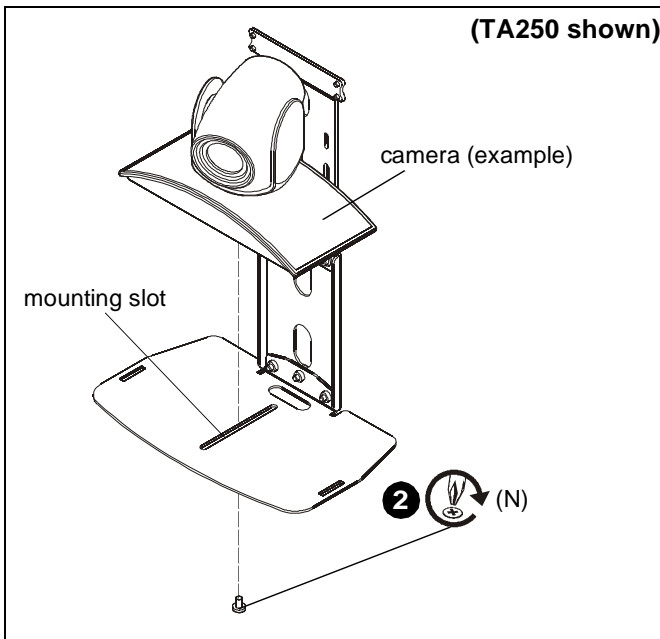


Figure 8

NOTE: It is also acceptable to mount the camera directly to the shelf without any screws or ties.

Adjustments

Height Adjustment

1. Loosen three 1/4-20 x 5/8" button head cap screws (F) holding extension bracket (B) or shelf (C) to attachment bracket (A). (See Figure 9)
2. Adjust height of shelf (C) as desired.
3. Tighten three 1/4-20 x 5/8" button head cap screws (F) holding extension bracket (B) or shelf (C) to attachment bracket (A). (See Figure 9)

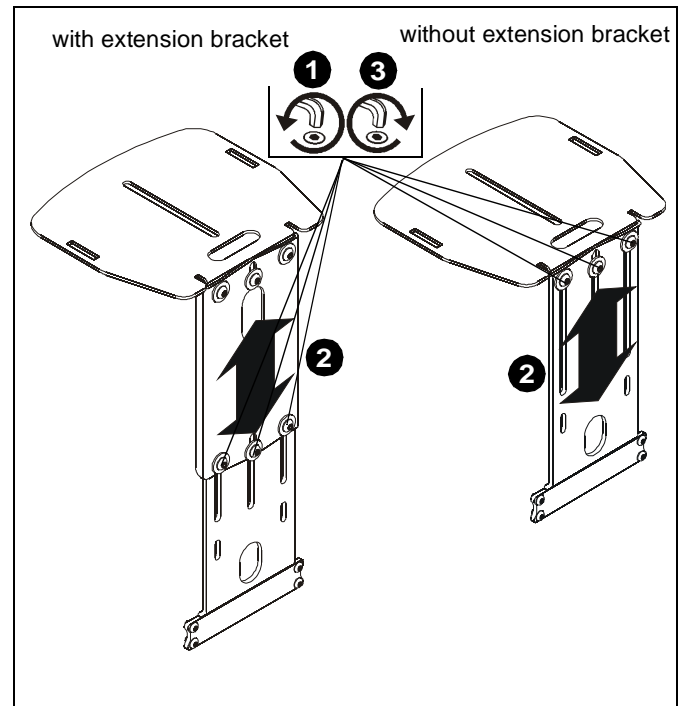


Figure 9



Our Mounts. **Your Vision.**

Chief Manufacturing, a products division
of Milestone AV Technologies

8805-002018 Rev02

©2012 Milestone AV Technologies, a
Duchossois Group Company
www.chiefmfg.com

07/12

USA/International	A 6436 City West Parkway, Eden Prairie, MN 55344 P 800.582.6480 / 952.225.6000 F 877.894.6918 / 952.894.6918
Europe	A Franklinstraat 14, 6003 DK Weert, Netherlands P +31 (0) 495 580 852 F +31 (0) 495 580 845
Asia Pacific	A Office No. 1 on 12/F, Shatin Galleria 18-24 Shan Mei Street Fotan, Shatin, Hong Kong P 852 2145 4099 F 852 2145 4477

