

Blackmagic MultiView 16



Monitor up to 16 SDI sources using an Ultra HD monitor or television so you get twice the resolution per view! Monitor from SD, HD or Ultra HD-SDI sources in any combination, in any order! Features full frame re-sync on each input.

Connections

SDI Video Inputs

16 x 10-bit SD-SDI, HD-SDI and 6G-SDI.

SDI Video Outputs

16 x 10-bit SD-SDI, HD-SDI and 6G-SDI.

SDI Rates

270Mb, 1.5G, 3G, 6G.

SDI Video Multi View Outputs

2 x 10-bit HD-SDI, 2 x 10 bit 6G-SDI.

HDMI Video Multi View Outputs

1 x HDMI type A connector. Output supports EDID of the monitor.

SDI Reclocking

On all SDI outputs, auto switching between standard definition, high definition or 6G-SDI video.

Reference Input

Black Burst and Tri-Sync for SD, HD and 4K.

Multi Rate Support

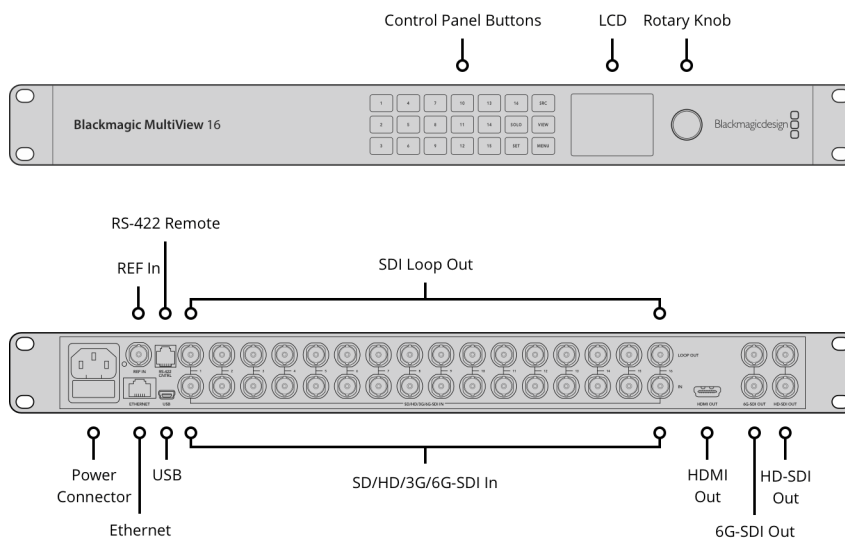
Auto detection of SD, HD or 6G-SDI. Simultaneous viewing of 4K, HD and SD video.

Updates

USB 2.0 high speed (480Mb/s) interface or via Ethernet.

Configuration

Via front panel LCD or use either RJ45 Ethernet or USB 2.0 for firmware updates and IP address setting.



Standards

SD Video Standards

525i59.94 NTSC, 625i50 PAL

HD Video Standards

720p50, 720p59.94, 720p60,
1080p23.98, 1080p24, 1080p25,
1080p29.97, 1080p30, 1080p50,
1080p59.94, 1080p60, 1080PsF23.98,
1080PsF24, 1080PsF25,
1080PsF29.97, 1080PsF30, 1080i50,
1080i59.94, 1080i60

2K Video Standards

2K DCI 23.98p, 2K DCI 24p,
2K DCI 25p, 2K DCI 23.98PsF,
2K DCI 24PsF, 2K DCI 25PsF

Ultra HD Video Standards

2160p23.98, 2160p24, 2160p25,
2160p29.97, 2160p30

4K Video Standards

4K DCI 24p

SDI Compliance

SMPTE 259M, SMPTE 292M,
SMPTE 296M, SMPTE 425M-B, ITU-R
BT.656 and ITU-R BT.601.

Audio Meters

Each view, VU standard.

Source Routing

Yes

SDI Video Sampling

4:2:2 and 4:4:4.

SDI Audio Sampling

Television standard sample rate of
48kHz and 24-bit.

SDI Color Precision

10-bit 4:2:2 and 4:4:4.

SDI Color Space

YUV or RGB for inputs, YUV
for outputs.

SDI Auto Switching

Automatically selects between SD-
SDI, HD-SDI, and 6G-SDI on each
input so that each input can be
running a different television
standard.

SDI Metadata Support

Video payload identification ancillary
data as per SMPTE 352M.

Control

Built in Control Panel

16 buttons for local control of source
routing with 5 buttons and scroll
wheel for menu control. 2.2 inch
color display.

External Control Panel

Includes Blackmagic Videohub
software control panel for Mac OS
and Windows for routing sources to
views. Supports Blackmagic Smart
Control and Blackmagic Master
Control hardware panels. Includes
Blackmagic Videohub SDK and
Ethernet Videohub Control Protocol.

RS-422 Control

RJ9 for external control.

Display

Built in 1.5 inch LCD for menu settings.

Software

Software Control

MultiView software included free for
Windows™ and Mac™

Internal Software Upgrade

Via included updater application.

Operating Systems



Mac 10.11 El Capitan,
Mac 10.12 Sierra or later.



Windows 8.1 and 10.

Physical Installation

1 rack unit size. Less than 6 inch deep.

Power Requirements

Power Supply

IEC power cable required.,90 - 240V
AC input.

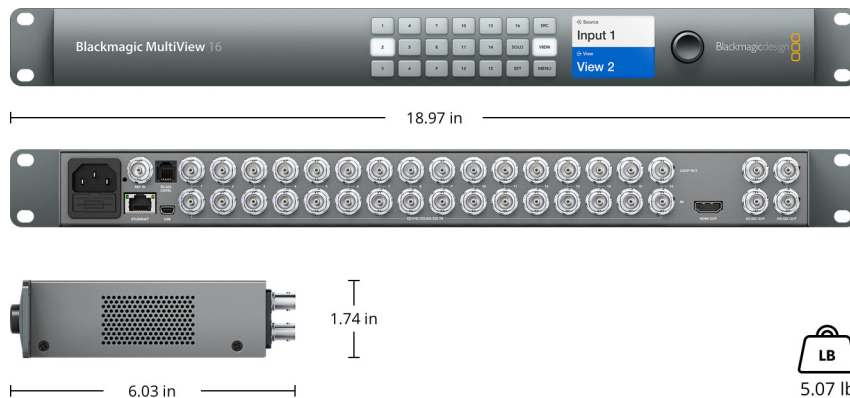
Power Fail Protection

MultiView 16 settings preserved and
restored instantly at power on.

Power Consumption

45 Watts

Physical Specifications



Environmental Specifications

Operating temperature

0° to 40° C (32° to 104° F)

Storage temperature

-20° to 45° C (-4° to 113° F)

Relative Humidity

0% to 90% non-condensing

What's Included

Blackmagic MultiView 16
SD card with software and manual

Warranty

12 month Limited Manufacturer's Warranty.

All items on this website are copyright Blackmagic Design Pty. Ltd. 2020, all rights reserved. All trademarks are property of their respective owners. MSRP includes duties, but excludes sales tax and shipping costs. This website uses remarketing services to advertise on third party websites to previous visitors to our site. You can opt out at any time by changing cookie settings. [Privacy Policy](#)

Blackmagic Design Authorized Reseller