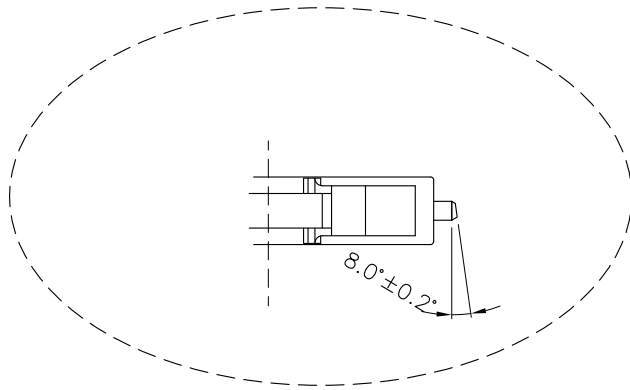


LC/APC Angles(SCALE 2/1)



LC/APC Angles(SCALE 2/1)

"#": Matching DIM. "*": Important DIM. Others General DIM.	DRAWING	20.JUL.2019	YMN		
	CHECK	20.JUL.2019	DAY		
	APPROVAL	20.JUL.2019	FRANK		
GENERAL TOLERANCE OF DIMENSIONS	DATE	NAME		ITEM NO.: RL26XX	
X.XXX ±0.005 X.XX ±0.05 X.X ±0.1	SCALE	1/1 (A4)	UNIT	mm	DES.: LCAPC-LCAPC 9/125 Duplex OS2 2.0mm LSZH
			DRAWING NO.	LCAPC-LCAPC 9/125 Duplex OS2 2.0mm LSZH(S05)	
			DRAWING CLASSIFICATION	S	SHEET



1

2

3

4

5

6

A

A

B

B

C

C

D

D

Description 1

Description 2

ACT Fiber Optical Patch Cord

LC/APC to LC/APC Duplex Singlemode 9/125,OS2

Model: xxxx-xxxxxx

IIC-code: xxxxx



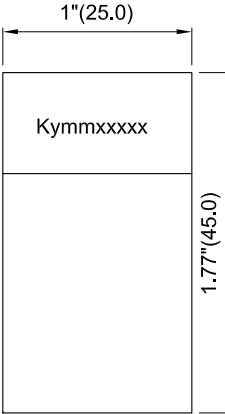
x xxxxxx xxxxxx

Performance:(@23C) λ =1310/1550±20nm

Serial No.	Insertion Loss		Return Loss	
	1310nm	1550nm	1310nm	1550nm
Kymmxxxx	A			
	B			
	C			
	D			

- ACT advices to clean connector ferrule before usage to get optimal performance
- Always leave the dust caps on if the cable isn't installed

Prepared By : QC Date :



DETAIL B

y: Year; mm: Month
xxxx: Serial Number

Specification:

1. LC Connector : LC/APC Singlemode

Mode	Ferrule	Housing	Clip	Boot	Cap
SM APC	Zirconia(ø1.25mm)	Green(PC)	Green(PP)	White/Green(TPE)	White(PE)

2. 2-1.Cable Type : Zipcord

Category	Jacket O.D.	Jacket Material	Color
G.657A2(9/125um)	ø2.0mm	LSZH	Yellow

2. 2-2.Cable Text Printing : ACT Premium Singlemode Fiber Optic Patch Cable
9/125um OS2 LSZH MM/YY xxxxM

3. Length : xM

Performance:

- a. Insertion Loss : Singlemode Average<0.10 dB, Max.<0.2 dB.
- b. Return Loss : APC>60 dB
- c. Insertion Loss will be Increased after 500 mating : 0.2 dB Max
- d. Operating Temperature : -20°C to +70°C
- f. Storage Temperature : -40°C to +80°C

RL2610	10	10	32.8'(10000)	LC/APC-LC/APC 9/125 OS2 10.00M
RL2605	05	5	16.4'(5000)	LC/APC-LC/APC 9/125 OS2 5.00M
RL2603	03	3	9.84'(3000)	LC/APC-LC/APC 9/125 OS2 3.00M
RL2602	02	2	6.56'(2000)	LC/APC-LC/APC 9/125 OS2 2.00M
RL2601	01	1	3.28'(1000)	LC/APC-LC/APC 9/125 OS2 1.00M
Part NO.	**	XX	L	Description

"#" : Matching DIM. "*" : Important DIM. Others General DIM.	DRAWING	20.JUL.2019	YMN	
	CHECK	20.JUL.2019	DAY	
	APPROVAL	20.JUL.2019	FRANK	
GENERAL TOLERANCE OF DIMENSIONS		DATE	NAME	ITEM NO.: RL26XX
X.XXX ±0.005 X.XX ±0.05 X.X ±0.1	SCALE	1/1 (A4)	UNIT	mm
DRAWING NO. LCAPC-LCAPC 9/125 Duplex OS2 2.0mm LSZH(S05)		DRAWING CLASSIFICATION		S SHEET 2 OF 2

1

2

0

3

4

10cm

5

6