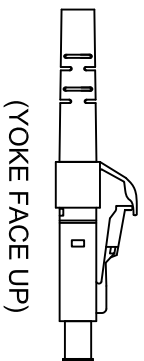
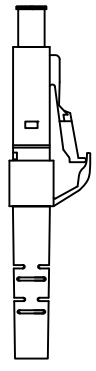
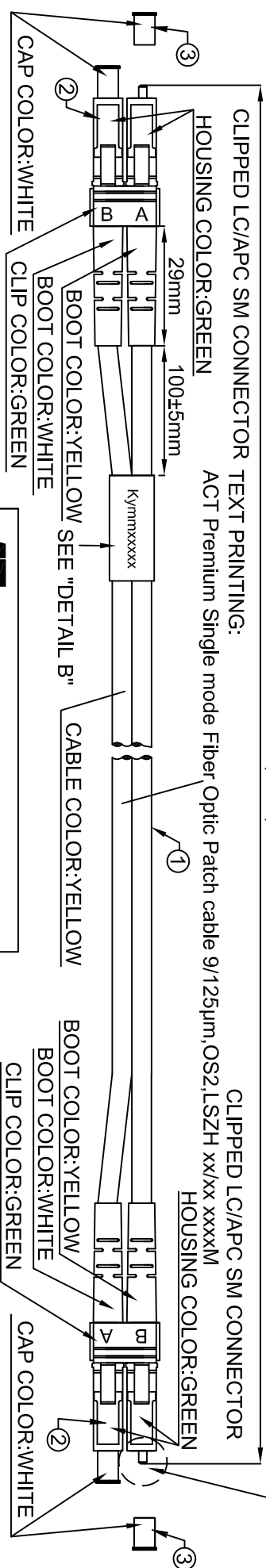


REV.	REVISION	DATE

1.42" (1.450)

SEE "DETAIL D"



PO/NO

PACKING:

ROUND CABLE METHOD SEE "DETAIL A"		
BAG TYPE	QTY	LABEL
POLYBAG	1 CABLE WITH TEST CARD	SEE "DETAIL C"
POLYBAG	5 CABLES	NONE
POLYBAG	ALL	NONE
EACH LARGE POLYBAG IN AN OUTER CARTON		

AT&T Fiber Optical Patchcord

LC/APC-LC/APC 9/125 OS2 1.00M

Model: xxxxxx - xxxxxx
Lot number: X X X X X X X X X X X X X X X X

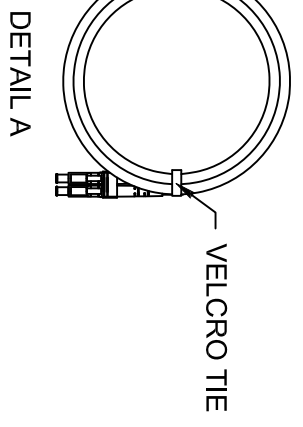
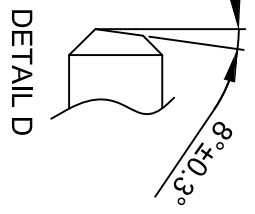
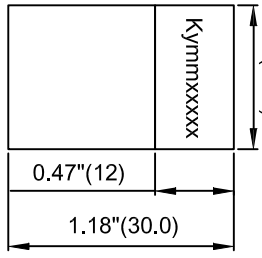
Performance (@23°C) λ=1310/1550±20nm

Serial No	Insertion Loss
A	1310nm
B	1550nm
C	
D	

* ACT advises to clean connector ferrule before usage to get optimal performance
* Always leave the dust caps on if the cable isn't installed

Prepared By: _____ Date: _____

DETAIL C



DETAIL B

y: Year, mm: Month
xxxxx: Serial Number

3	4PCS	LC DUST COVER, WHITE.
2	4SETS	CONNECTOR: LC/LC/APC SM, GREEN HOUSING WITH YELLOW & WHITE BOOT.
1	1PC	CABLE: SINGLEMODE, 9/125µm, OS2, 2.0mm ZIPCORD, LSZH YELLOW JACKET.
ITEM	QTY	PART NO. DESCRIPTION
PART LIST		

RL2610	10	10	3.28'(1000)	LC/APC-LC/APC 9/125 OS2 10.00M
RL2605	05	5	16.4'(5000)	LC/APC-LC/APC 9/125 OS2 5.00M
RL2603	03	3	9.84'(3000)	LC/APC-LC/APC 9/125 OS2 3.00M
RL2602	02	2	6.56'(2000)	LC/APC-LC/APC 9/125 OS2 2.00M
RL2601	01	1	3.28'(1000)	LC/APC-LC/APC 9/125 OS2 1.00M
PART NO.	**	XX	L	DESCRIPTION

CUSTOMER APPROVAL: _____ DATE: _____

	UNIT: Inches[mm]	TITLE: PATCHCORD LC-LC SINGLE MODE DUPLEX
DRAWN BY: Vernon	DATE: 2016.08.13	CUSTOMER: 9/125 OS2, 2.0mm, LSZH YELLOW.
CHECKED BY: Wale	DATE: 2016.08.13	CUSTOMER PART NO. RL26**
APPROVED BY: David	DATE: 2016.08.13	Ref. NO. REV. B
SALE BY: _____	DATE: _____	TRENDEX PART NO. _____

Product Specification

STANDARD COMPLIANCES

ANSI/TIA-568-C.3

ISO 11801 OS2 /IEC60793-2-10 type B1.3

We Implemented RoHS Compliance for the Requirement of European Union Issued Directive 2011/65/EU

CONSTRUCTION & CHARACTERISTICS

Polish	Insertion loss typical	0.1 dB
	Insertion Loss max.	0.2 dB
	Return Loss min.	≥60dB
	Polish	APC
Connector	Connector A side spec.	IEC61754-20 LC Connector
	Connector B side spec.	IEC61754-20 LC Connector
	Ferrule	Ceramic Zirconia (ZrO ₂)
Cable	Fiber class	OS2
	Fiber type	Single mode 9/125
	Cable type	I-V(ZN)H 4.1x2.0mm LZSH yellow
	Tensile strength	90N (Short time 150N)
	Operation temp.	-20°C to +60°C (5 cycles)
	Vibration	10 to 55 Hz 1.5mm Double Amplitude
Fire performance	Flame retardancy	IEC 60322-1-2 and IEC 60332-3-22 Cat.A
	Smoke density LS	IEC 61034
	Absence of halogen ZH	IEC 60754-1
	Riser cable	LZSH/FRNC
Marking		ACT Premium Single mode Fiber Optic Patch cable 9/125 μm, OS2, LZSH xx/xx xxxM

100% tested and approved

- ACT advises to clean every connector ferrule before usage to get optimal performance
- Always leave the dust caps on if the cable isn't installed