

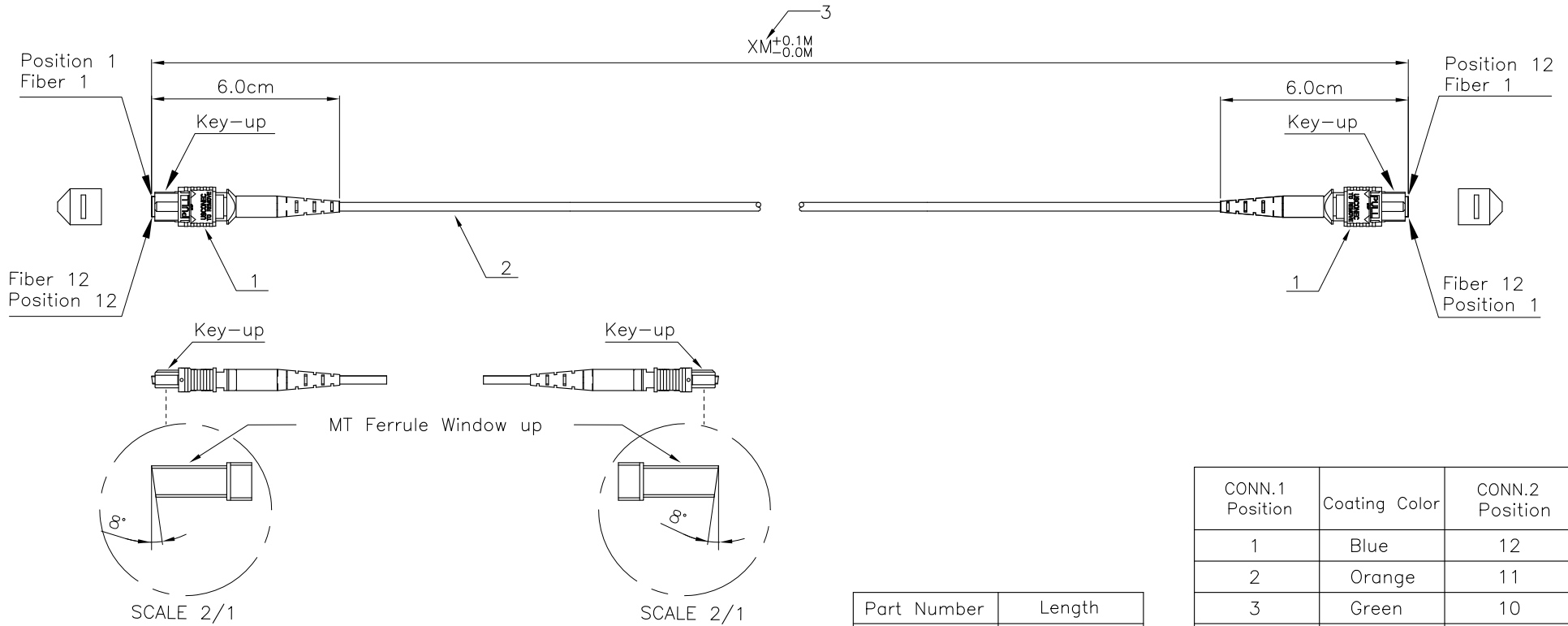
1 2 3 4 5 6

A

B

C

D



Specification :
 Material :
 1. MTP Connector : Female to Female

Mode	MT Ferrule	Housing	Boot	Cap
SM Low Loss	12 Fibers SM Low Loss Black(PPS)	Yellow(PBT)	Black(TPR)	Black(TPR)

2. Cable Type : 12C Round

Category	Jacket O.D.	Jacket Material	Color
G.657A2(9/125um)	ø3.0mm	LSFRZH	Yellow

3. Length : X Meter

Performance :
 a. Insertion Loss & Return Loss :

	SM APC Low Loss
Insertion Loss	<0.35 dB
Return Loss	>60 dB

- b. Fiber Overcut(MTP) : 1.0~3.0um
- c. Operating Temperature : -20°C to +70°C
- d. Storage Temperature : -40°C to +80°C

Part Number	Length
RL7801	1M
RL7802	2M
RL7803	3M
RL7805	5M
RL7807	7M
RL7810	10M
RL7812	12M
RL7815	15M
RL7820	20M

CONN.1 Position	Coating Color	CONN.2 Position
1	Blue	12
2	Orange	11
3	Green	10
4	Brown	9
5	Gray	8
6	White	7
7	Red	6
8	Black	5
9	Yellow	4
10	Purple	3
11	Pink	2
12	Aqua	1

"#" : Matching DIM. "*" : Important DIM. Others General DIM.	DRAWING	29.JAN.2018	YMN	AD	
	CHECK	29.JAN.2018	DAY		
	APPROVAL	29.JAN.2018	JAIMY		
GENERAL TOLERANCE OF DIMENSIONS X.XXX ±0.005 X.XX ±0.05 X.X ±0.1	SCALE	1/2 (A4)	UNIT	mm	ITEM NO.:
	DRAWING NO.		Array Cord OS2 12C MTP(F) to MTP(F) Low Loss B Type(S01)		
	DRAWING CLASSIFICATION		S	SHEET	

1 2 3 4 5 6