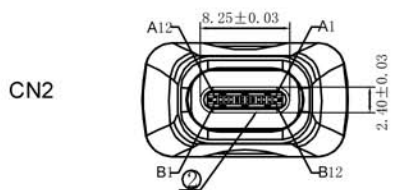
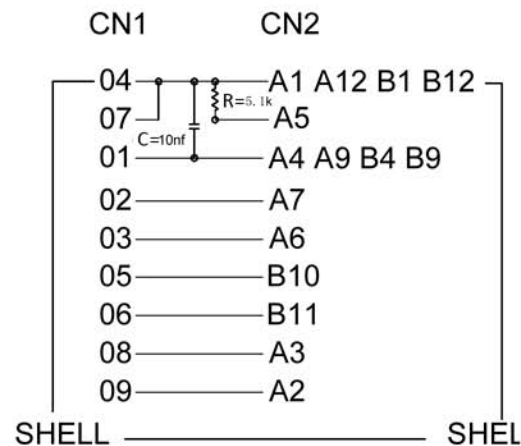


PIN CONNECTION



Mark:

- 100% open&short testing.
- It supports charging, data transferring and OTG.
- It used PCB connection, not Electronic wire.

5	Out-Mold	PVC,black	USB-13	4.8G
4	In-Mold	PE	USB-14	2.6G
3	In-Con	PCB,T=0.8mm,R=5.1KΩ,C=10nf	JH-001	1PCS
2	Connector	USB 3.1 Type C M,nickel-plated,gold pin	DT07015	1PCS
1	Connector	USB 3.0 AF,nickel-plated,blue rubber	DT06011	1PCS
NO	ITEM	Description	Item No	QTY

AC				USB 3.0 AF to Type C Adapter			
品名规格				单位	MM		
客户编号		版次		比例	NONE		
图纸编号		SB0037		日期			
核准				审核		制作	