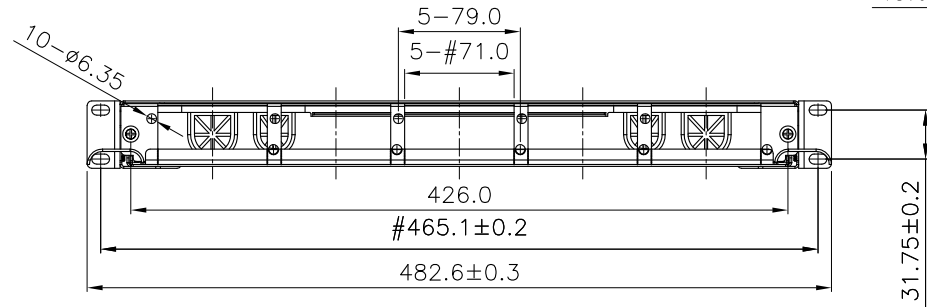
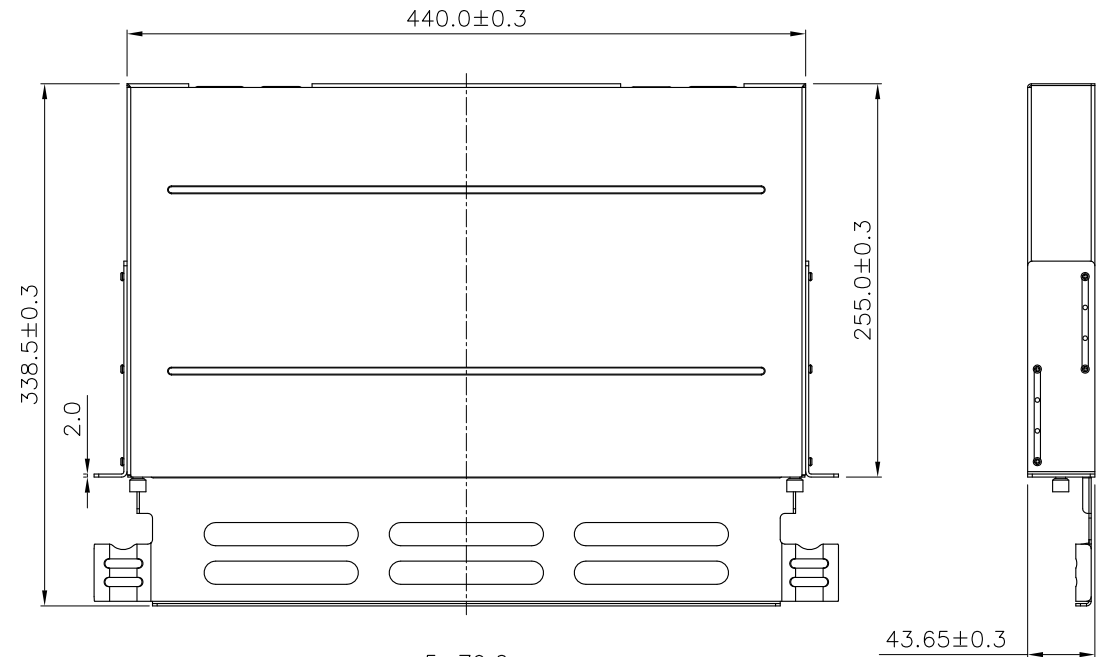
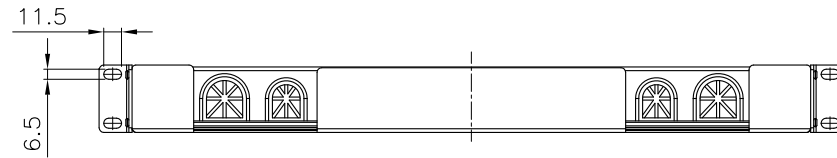
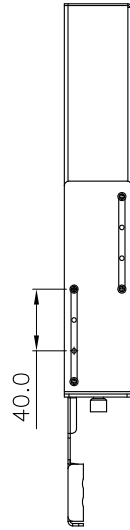


SCALE 1/10



Specification :

1. Matrix : 1.2mm Thickness, SPCC, BK(RAL9005).
2. Screw : 4pcs, M3*5mm Zinc Plated, Wafer Head.
3. Ledger plate : 2pcs, 2.0mm Thickness, SPCC, BK(RAL9005).
4. Big Grommet : 2pcs, PVC, Black color.
5. Small Grommet : 2pcs, PVC, Black color.
6. Drawer : 1.2mm Thickness, SPCC, BK(RAL9005).
7. Front Plate : 1.5mm Thickness, SPCC, BK(RAL9005).
8. Screw : 2pcs, M3* ϕ 10.5*13.8mm Zinc Plated, Wafer Head.
9. Support Bar : SPCC, 1.5mm Thickness, SPCC, BK(RAL9005).

Performance :

- a. Height : 1U(43.65mm) Width : 19"(482.6mm) Depth : 13.3"(338.5mm)
- b. Shelf Mounting Adjustment Range : 0~245.0mm
- c. Material : SPCC, 1.2mm Thickness, BK(RAL9005)
- d. Operating Temperature : -20°C to +70°C
- e. Net Weight : 3.3kg.

"#" : Matching DIM. "*" : Important DIM. Others General DIM.	DRAWING	29.APR.2020	DANIEL	ACT	
	CHECK	29.APR.2020	DAY		
	APPROVAL	29.APR.2020	FRANK		
GENERAL TOLERANCE OF DIMENSIONS X.XXX ±0.005 X.XX ±0.05 X.X ±0.1	SCALE	1/5 (A4)	UNIT	mm	ITEM NO.: FA2050
	DRAWING NO. MTP PATCHPANEL HD 5GATS(S01)		DRAWING CLASSIFICATION		S SHEET 1 OF 1

