



## MKE 200 Mobile Kit

MKE 200 directional on-camera microphone with Smartphone Clamp & Manfrotto PIXI Mini Tripod



### MKE 200 MOBILE KIT

Art. no. 509256

#### MKE 200

Directional on-camera microphone with built-in wind protection and shock absorption for enhanced in-camera audio. Compact design with sleek and stylish finish, standard cold shoe mount for universal and battery free operation. Includes 3.5 mm TRS and TRRS coiled cables for compatibility with DSLR and mirrorless cameras or mobile devices.

#### Smartphone Clamp

Made of solid aluminium and provides soft rubber grips for a secure hold for nearly all mobile phones. Includes an adjustable 180-degree locking dial to align a preferred aspect ratio in portrait or landscape.

#### Manfrotto PIXI Mini Tripod

A durably constructed, lightweight mini tripod with ball head and push-button locking mechanism for flexible positioning and a firm grip. The rubber feet provide a non-slip grip on most surfaces and the extendable legs allow comfortable handheld vlogging with added stability.

### FEATURES

- Mobile Kit for vloggers and content creators on the move
- Compact by design for easy access and storage
- MKE 200 microphone with integrated windscreen and shock mount
- Smartphone Clamp with cold shoe mount for portrait or landscape orientation
- Manfrotto PIXI Mini Tripod with adjustable locking ball for flexible positioning and control
- Durably constructed components for daily use

### DELIVERY INCLUDES

- MKE 200 directional on-camera microphone
- Manfrotto PIXI Mini Tripod
- Sennheiser Smartphone Clamp
- Locking 3.5 mm TRS to TRS coiled cable
- Locking 3.5 mm TRS to TRRS coiled cable
- Windscreen
- Storage pouch

### ACCESSORIES

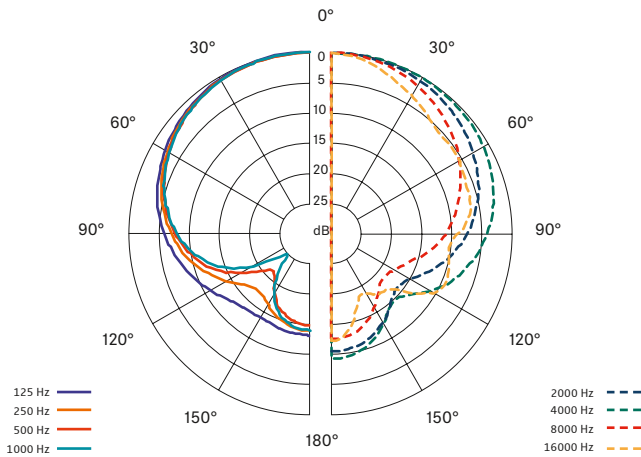
Locking 3.5 mm TRS to USB coiled cable **Art. no. 509262**



# MKE 200 Mobile Kit

## MKE 200 directional on-camera microphone with Smartphone Clamp & Manfrotto PIXI Mini Tripod

### POLAR PATTERN

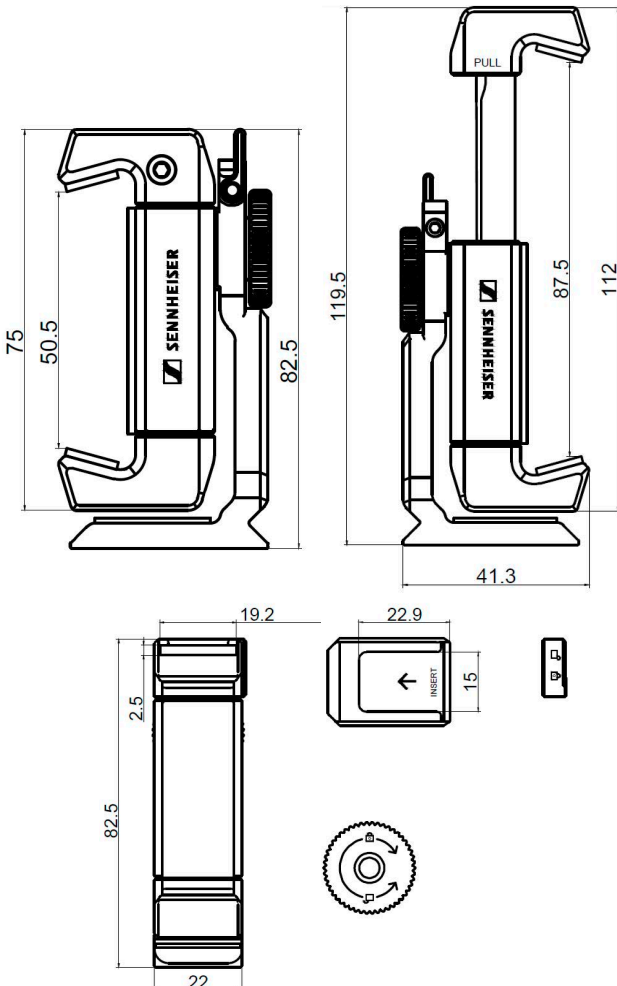


### SPECIFICATIONS

#### MKE 200

Power supply	plug-in-power
Required plug-in power	2 - 10V
Transducer principle	pre-polarized condenser
Frequency response	40 to 20,000 Hz
Pick-up pattern	super cardioid
Sensitivity at 1 kHz (free field)	-33 dB V/Pa
Max. SPL at 1 kHz	120 dB SPL
Equivalent noise level	20 dB
Connector	3.5 mm jack
Dimensions	69 x 60 x 39 mm
Weight	48 g
Color	black

### DIMENSIONS



#### Smartphone Clamp

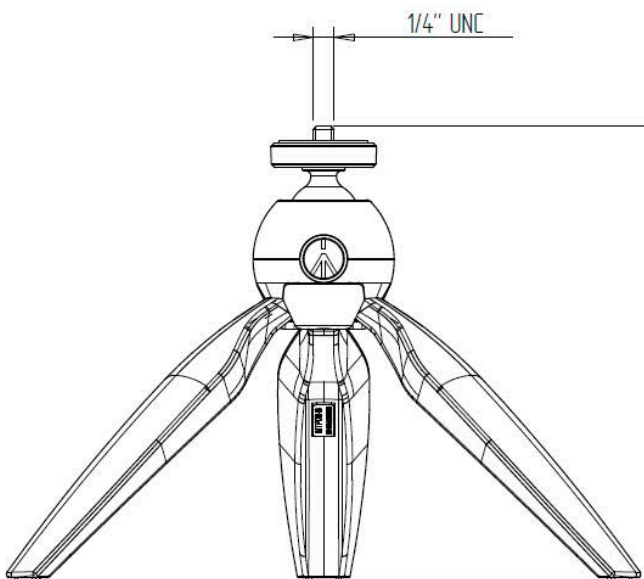
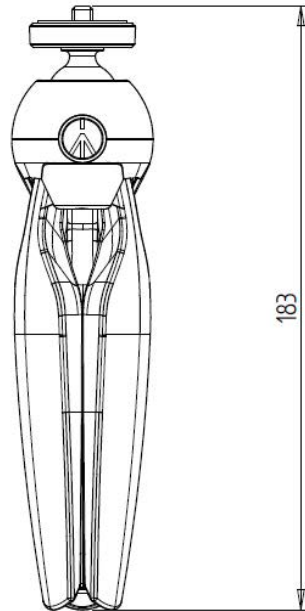
Weight	0.24 lbs / 109 g
Panoramic rotation	360°
Min. clip size	2.2 in / 56 mm
Max. clip size	3.5 in / 89 mm
Mounting interface (top)	Cold Shoe
Mounting interfaces (back)	4 x 1/4"
Mounting interfaces (bottom)	1 x 1/4" 1 x 3/8" Arca Swiss
Material	aluminum, stainless steel
Compatibility (Smartphones)	all smartphones with max width of 3.5 in / 89 mm
Compatibility	all products with cold shoe adapter



# MKE 200 Mobile Kit

## MKE 200 directional on-camera microphone with Smartphone Clamp & Manfrotto PIXI Mini Tripod

### DIMENSIONS



### SPECIFICATIONS

#### Manfrotto PIXI Mini Tripod

##### Product Properties:

Weight	0.42 lbs / 190 g
Closed length	7.20 in / 183 mm
Max. height	5.31 in / 135 mm
Min. height	5.31 in / 135 mm
Front tilt	-35° / +35°
Lateral tilt	-35° / +35°
Leg angles	45°

##### Environmental Conditions:

Material	aluminum, technopolymer
Max. working temperature	140 °F / 60 °C
Min. working temperature	-22 °F / -30 °C

##### Ball Head

Plate type	fixed - with 1/4"
Panoramic rotation	360°
Safety payload weight	2.2 lbs / 1 kg
Ball locking	Yes
Mounting interface (top)	1/4"
Max. body weight	1.4 lbs / 650 g
Max. focal length	3.4 in / 85 mm