

SLIMSCREEN



SUGGESTED SPECIFICATIONS

Manual projection screen with a spring mechanism. Easy to mount on wall or ceiling with the integrated brackets in both end caps. The steel square casing (6,8 x 6,8 cm) is galvanised on the inside and on the outside powder coated with a matte structure coating (RAL 9016). The grey end caps close the casing on both ends. The triangular slat bar closes of the of the bottom of the casing on the outside. The screen surfaces are flame retardant and seamless. The projection surfaces have a 5 cm. border all around with the Video-, HDTV, and Wide format. The standard format (1:1) has a black border on both sides of 2.5 cm. The projection fabrics have a black backing.

SCREEN SURFACES

All screen surfaces are seamless.

Matte White; Gain 1.0, viewing angle 120°, Flame retardant, max. height 200 cm, max. width 200 cm.

Datalux; Gain 1.5, viewing angle 70°, Flame retardant, max. height 240 cm, max. width 200 cm.

DIMENSIONS (SELECT ONE OF OUR STANDARD SIZES AND ENTER THE REQUIRED QUANTITY)

Aspect Ratio	Overall Dimensions	Viewing Area	Nominal Diagonal		Case (RAL 9016)			Weight	Screen Surfaces	
	h x b cm	h x b cm	cm	inches	L1 (mm)	L2 (mm)	L3 (mm)	in kg	Matte White	Datalux
4:3	123 x 160	110 x 146	183	72	1718	1696	1620	6		
4:3	138 x 180	126 x 168	210	83	1918	1896	1820	7		
4:3	153 x 200	143 x 190	238	94	2138	2116	2040	8		
16:9	90 x 160	82 x 146	168	66	1718	1696	1620	6		
16:9	102 x 180	95 x 168	193	76	1918	1896	1820	7		
16:9	117 x 200	107 x 190	218	86	2138	2116	2040	8		
1:1	125 x 125	120 x 120			1380	1358	1282	5		
1:1	145 x 145	140 x 140			1588	1566	1490	6		
1:1	160 x 160	151 x 151			1718	1696	1620	7		
1:1	180 x 180	173 x 173			1918	1896	1820	8		
1:1	200 x 200	195 x 195			2138	2116	2040	9		

CUSTOM SOLUTIONS

Give exact the sizes of the projection screen you need:

Viewing size: _____ Height (cm.) x _____ width (cm.) Surface: _____

Border top: _____ (cm.)

Case in RAL7021 (black)

Remarks: _____

www.projectascreens.com/screendesigner

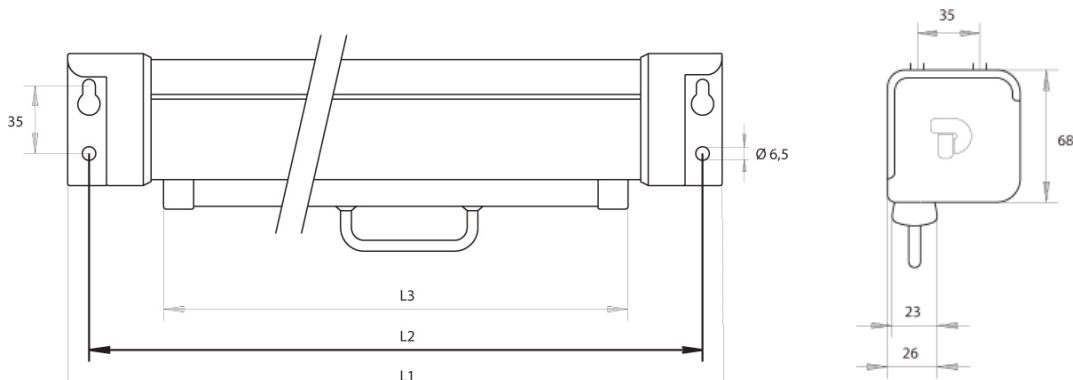
ACCESSORIES FOR OPERATION

- Pull Rod

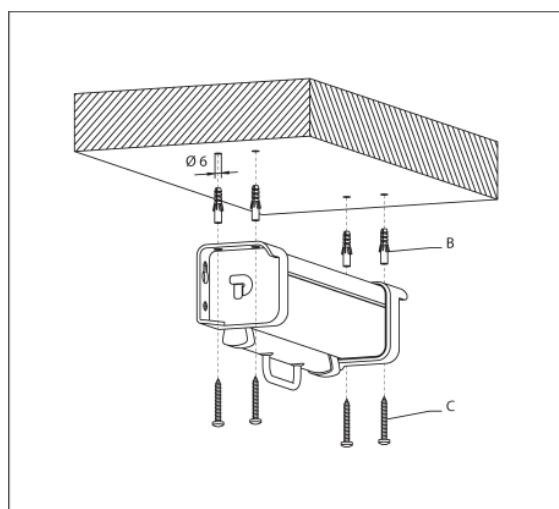
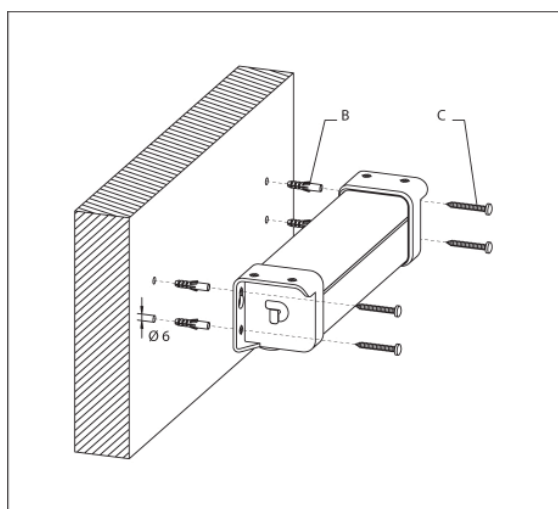
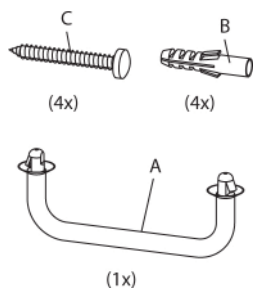
ACCESSORIES FOR MOUNTING

- Ceiling brackets (100 cm.)
- Set extension brackets! (57 cm.)

DIMENSIONS



INSTALLATION



Project:	_____
Architect:	_____
Phone:	_____
Contractor:	_____
Phone:	_____
Supervisor:	_____
Phone:	_____
Supplier:	_____
Date:	_____
Revised:	_____

