

# Caster/Inner Platform Bases

features:

## Caster Base

- Available in commercial grade or for fine floors
- Durable black textured powder coat finish
- Commercial grade caster base is UL listed in Canada and the U.S. (except Slim 5 models)
- Accommodates MRK, WRK, ERK and Slim 5 Series enclosures



BS-MRK-31

## Inner Platform Base

- Fits inside rack
- Mounts flush with bottom of rackspace
- Ideal for supporting heavy electrical equipment and mounting electrical boxes
- Accommodates MRK and WRK Series enclosures



CBS-MRK-31

specifications:

## CBS Commercial Grade Caster Base

Commercial grade caster base shall be Middle Atlantic Products model # CBS-\_\_\_-\_\_\_ to accommodate \_\_\_ Series \_\_\_" depth racks (refer to chart). Caster base shall be constructed of 11-gauge steel. Caster base shall be \_\_\_" H x \_\_\_" W x \_\_\_" D and have a weight capacity of \_\_\_ lbs. (refer to chart). Caster base shall have one knockout in the center of the base for cable pass-through measuring \_\_\_" W x \_\_\_" D (refer to chart). Caster base shall raise total rack height \_\_\_" (refer to chart). Caster base shall be finished in a durable textured black powder coat. Caster base shall be UL listed in the U.S. and Canada (except Slim 5 models). Caster base shall be GREENGUARD Gold Certified. Caster base shall comply with the requirements of RoHS EU Directive 2002/95/EC. Caster base shall be manufactured by an ISO 9001 and ISO 14001 registered company. Caster base shall be warranted to be free from defects in material or workmanship under normal use and conditions for a period of 7 years.

## CBS Fine Floor Caster Base

Fine floor caster base shall be Middle Atlantic Products model # CBS-\_\_\_-\_\_\_R to accommodate \_\_\_ Series \_\_\_" depth racks (refer to chart). Caster base shall be constructed of 11-gauge steel. Caster base shall be \_\_\_" H x \_\_\_" W x \_\_\_" D and have a weight capacity of \_\_\_ lbs. (refer to chart). Caster base shall have one knockout in the center of the base for cable pass-through measuring \_\_\_" W x \_\_\_" D (refer to chart). Caster base shall raise total rack height \_\_\_" (refer to chart). Caster base shall be finished in a durable textured black powder coat. Caster base shall be GREENGUARD Gold Certified. Caster base shall comply with the requirements of RoHS EU Directive 2002/95/EC. Caster base shall be manufactured by an ISO 9001 and ISO 14001 registered company. Caster base shall be warranted to be free from defects in material or workmanship under normal use and conditions for a period of 7 years.

## BS Inner Platform Base

Inner platform base shall be Middle Atlantic Products model # BS-\_\_\_-\_\_\_ to accommodate \_\_\_ Series \_\_\_" depth racks (refer to chart). Inner platform base shall be constructed of 11-gauge steel. Inner platform base shall be \_\_\_" H x \_\_\_" W x \_\_\_" D (refer to chart). Inner platform base shall have one knockout in the center of the base for cable pass-through measuring \_\_\_" W x \_\_\_" D (refer to chart). Inner platform base shall be finished in a durable textured black powder coat. Inner platform base shall be GREENGUARD Gold Certified. Inner platform base shall comply with the requirements of RoHS EU Directive 2002/95/EC. Inner platform base shall be manufactured by an ISO 9001 and ISO 14001 registered company. Inner platform base shall be warranted to be free from defects in material or workmanship under normal use and conditions for the lifetime of the product.

Customizable specification clips available at [middleatlantic.com](http://middleatlantic.com)



PRODUCT CERTIFIED FOR  
LOW CHEMICAL EMISSIONS  
UL.COM/GG  
UL 2818

what **great systems** are built on.™

A Group brand | **legrand**

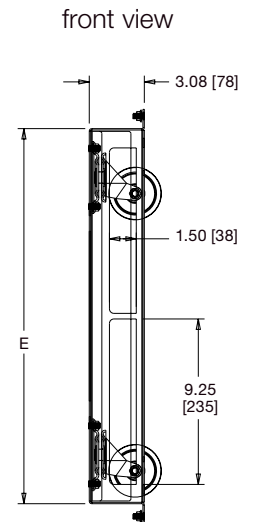
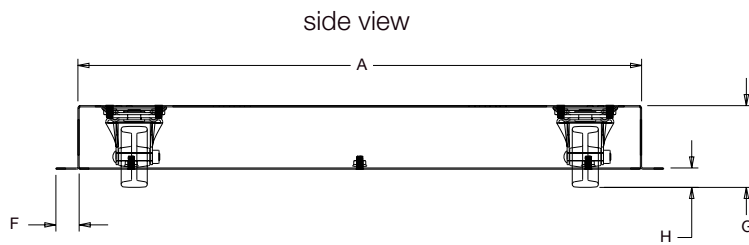
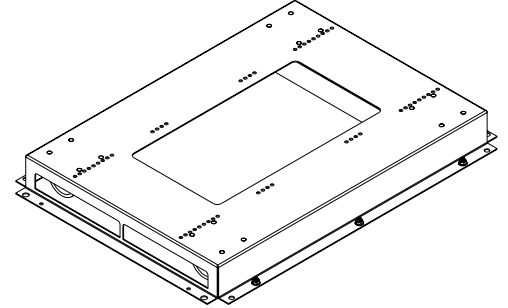
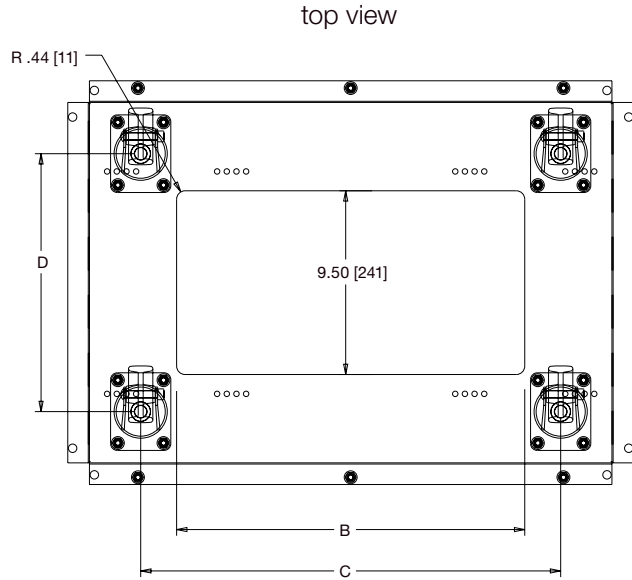
**Middle Atlantic Products**  
middleatlantic.com | middleatlantic.ca

96-936 / rev c / 3-25-15

# CBS-MRK/WRK-XX

## basic dimensions

all dimensions in inches unless otherwise noted [all dimensions in brackets are in millimeters]



CBS-MRK/WRK-XX Size Chart

Part #	Fits	Grade	A Depth	B Opening Depth	C Caster to Caster Depth	D Caster to Caster Width	E Width	F Flange	G Overall Height	H Height Rack is Raised	Weight Capacity
CBS-MRK-26	MRK- 26" deep	commercial	22.14 [562]	10.84 [275]	16.72 [425]	13.34 [339]	18.76 [476]	1.12 [28]	4.1 [104]	1.0 [25]	1300 lbs.
CBS-MRK-26R	MRK- 26" deep	fine floor	22.14 [562]	10.84 [275]	16.72 [425]	13.34 [339]	18.76 [476]	1.12 [28]	4.1 [104]	1.1 [28]	720 lbs.
CBS-MRK-31	MRK- 31" deep	commercial	27.14 [689]	15.84 [402]	21.72 [551]	13.34 [339]	18.76 [476]	1.12 [28]	4.1 [104]	1.0 [25]	1300 lbs.
CBS-MRK-31R	MRK- 31" deep	fine floor	27.14 [689]	15.84 [402]	21.72 [551]	13.34 [339]	18.76 [476]	1.12 [28]	4.1 [104]	1.1 [28]	720 lbs.
CBS-MRK-36	MRK- 36" deep	commercial	31.74 [806]	20.44 [519]	26.32 [669]	13.34 [339]	18.76 [476]	1.12 [28]	4.1 [104]	1.0 [25]	1300 lbs.
CBS-MRK-36R	MRK- 36" deep	fine floor	31.74 [806]	20.44 [519]	26.32 [669]	13.34 [339]	18.76 [476]	1.12 [28]	4.1 [104]	1.1 [28]	720 lbs.
CBS-WRK-27	WRK- 27" deep	commercial	24.34 [618]	13.00 [330]	18.88 [480]	15.50 [394]	20.97 [533]	1.16 [29]	4.0 [102]	1.0 [25]	1300 lbs.
CBS-WRK-27R	WRK- 27" deep	fine floor	24.34 [618]	13.00 [330]	18.88 [480]	15.50 [394]	20.97 [533]	1.16 [29]	4.2 [107]	1.2 [30]	700 lbs.
CBS-WRK-32	WRK- 32" deep	commercial	29.34 [745]	18.00 [457]	23.88 [607]	15.50 [394]	20.97 [533]	1.16 [29]	4.0 [102]	1.0 [25]	1300 lbs.
CBS-WRK-32R	WRK- 32" deep	fine floor	29.34 [745]	18.00 [457]	23.88 [607]	15.50 [394]	20.97 [533]	1.16 [29]	4.2 [107]	1.2 [30]	700 lbs.

what great systems are built on.™

A Group brand | legrand

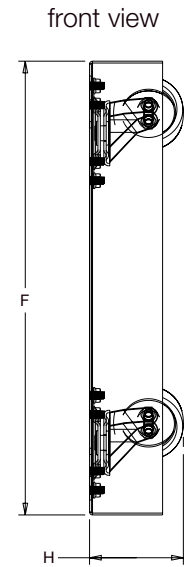
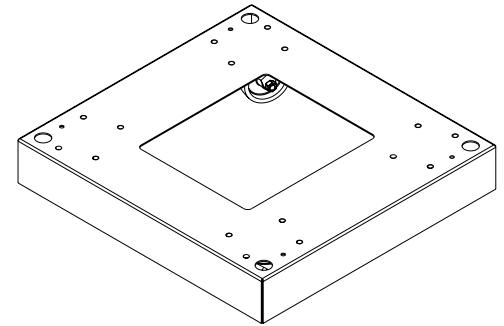
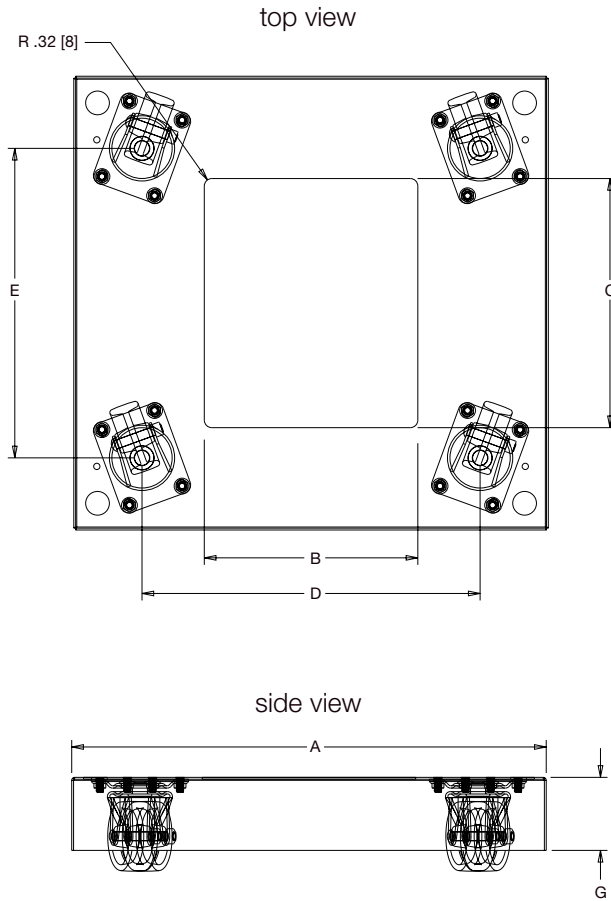
Middle Atlantic Products

[middleatlantic.com](http://middleatlantic.com) | [middleatlantic.ca](http://middleatlantic.ca)

# CBS-5/ERK-XX

## basic dimensions

all dimensions in inches unless otherwise noted [all dimensions in brackets are in millimeters]



CBS-5/ERK-XX Size Chart

Part #	Fits	Grade	A Depth	B Opening Depth	C Caster to Caster Depth	D Caster to Caster Width	E Width	F Width	G Skirt Height	H Height Rack is Raised	Weight Capacity
CBS-5	Slim 5- 20" deep	commercial	20.00 [508]	9.00 [229]	10.50 [267]	14.25 [362]	13.05 [331]	19.13 [486]	3.08 [78]	3.9 [99]	400 lbs.
CBS-5R	Slim 5- 20" deep	fine floor	20.00 [508]	9.00 [229]	10.50 [267]	14.25 [362]	13.05 [331]	19.13 [486]	3.08 [78]	4.1 [104]	400 lbs.
CBS-5 -26	Slim 5- 26" deep	commercial	26.00 [660]	15.00 [381]	10.50 [267]	20.25 [514]	13.05 [331]	19.13 [486]	3.08 [78]	3.9 [99]	400 lbs.
CBS-5-26R	Slim 5- 26" deep	fine floor	26.00 [660]	15.00 [381]	10.50 [267]	20.25 [514]	13.05 [331]	19.13 [486]	3.08 [78]	4.1 [104]	400 lbs.
CBS-ERK-20	ERK- 20" deep	commercial	20.00 [508]	14.50 [368]	9.80 [249]	13.88 [353]	15.87 [403]	22.00 [559]	3.00 [76]	3.9 [99]	1300 lbs.
CBS-ERK-20R	ERK- 20" deep	fine floor	20.00 [508]	14.50 [368]	9.80 [249]	13.88 [353]	15.87 [403]	22.00 [559]	3.00 [76]	4.1 [104]	700 lbs.
CBS-ERK-25	ERK- 25" deep	commercial	25.00 [635]	19.50 [495]	9.80 [249]	18.88 [480]	15.87 [403]	22.00 [559]	3.00 [76]	3.9 [99]	1300 lbs.
CBS-ERK-25R	ERK- 25" deep	fine floor	25.00 [635]	19.50 [495]	9.80 [249]	18.88 [480]	15.87 [403]	22.00 [559]	3.00 [76]	4.1 [104]	700 lbs.
CBS-ERK-28	ERK- 28" deep	commercial	28.00 [711]	22.50 [572]	9.80 [249]	21.88 [556]	15.87 [403]	22.00 [559]	3.00 [76]	3.9 [99]	1300 lbs.
CBS-ERK-28R	ERK- 28" deep	fine floor	28.00 [711]	22.50 [572]	9.80 [249]	21.88 [556]	15.87 [403]	22.00 [559]	3.00 [76]	4.1 [104]	700 lbs.

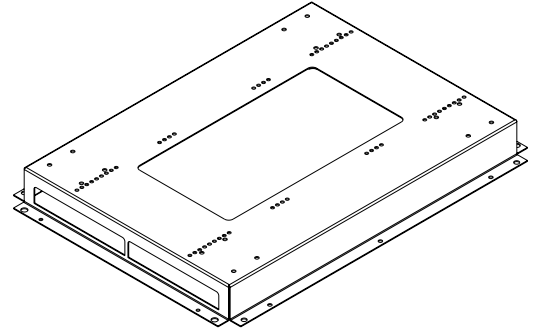
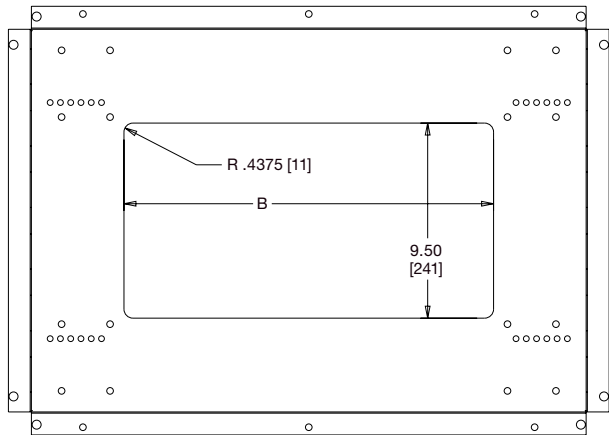
what great systems are built on.™

# BS-MRK/WRK-XX

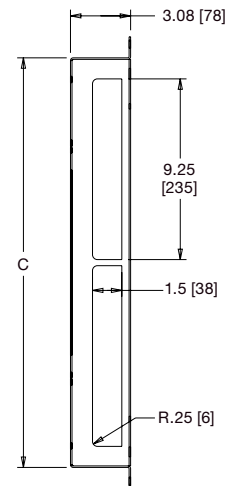
## basic dimensions

all dimensions in inches unless otherwise noted [all dimensions in brackets are in millimeters]

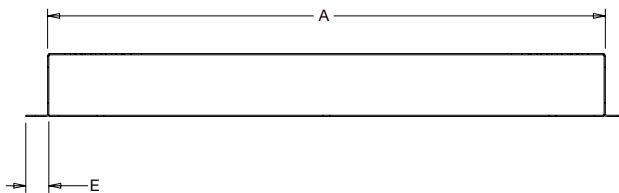
top view



front view



side view



BS-MRK/WRK-XX Size Chart

Part #	Fits	A Depth	B Knockout Depth	C Width	D Height	E Flange
BS-MRK-26	MRK- 26" deep	22.14 [562]	10.84 [275]	18.76 [476]	3.060 [78]	1.120 [28]
BS-MRK-31	MRK- 31" deep	27.14 [689]	15.84 [402]	18.76 [476]	3.060 [78]	1.120 [28]
BS-MRK-36	MRK- 36" deep	31.74 [806]	20.44 [519]	18.76 [476]	3.060 [78]	1.120 [28]
BS-MRK-42	MRK- 42" deep	37.74 [959]	26.44 [672]	18.76 [476]	3.060 [78]	1.120 [28]
BS-WRK-27	WRK- 27" deep	24.343 [618]	17.50 [444]	20.968 [533]	3.078 [78]	1.156 [29]
BS-WRK-32	WRK- 32" deep	29.343 [745]	22.50 [571]	20.968 [533]	3.078 [78]	1.156 [29]

what **great systems** are built on.™

A Group brand | **legrand**

**MA**  
Middle Atlantic Products

middleatlantic.com | middleatlantic.ca