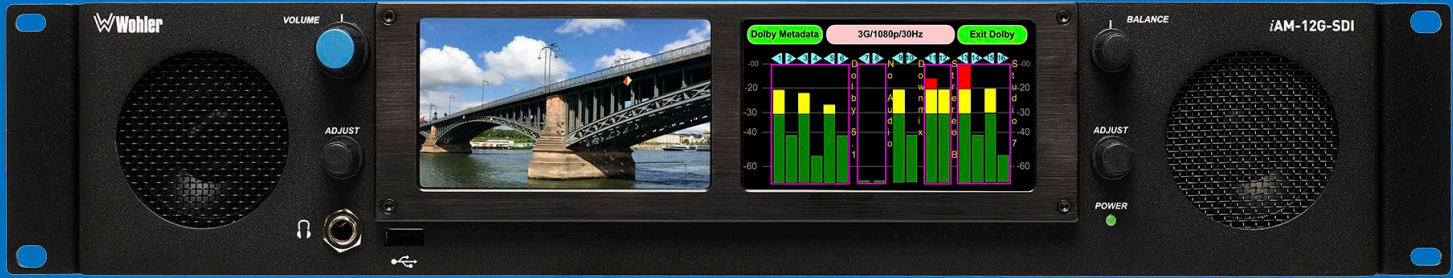


# iAM-12G-SDI available with DOLBY ATMOS



Multi-Channel Audio and 12G/4K Video Monitoring & Metering of IP and Baseband Signals



State of the art 12G video and audio monitor with touch screen controls, and APIs for remote management.

- 4K / UHD 12G-SDI
- SDI
- AES AES3
- OPTION FIBER
- OPTION SMPTE 2022
- OPTION SMPTE 2110
- VIDEO
- AUDIO
- MADE IN USA
- MIX
- LOUDNESS -24dB
- OPTION DOLBY ATMOS
- METERS
- PRESETS
- SPEAKERS
- TOUCH
- API
- HEADPHONE
- USB
- REMOTE UI
- OPTION SFP

Wohler Technologies is extending its ground breaking iAM Series of products with a new multi-channel audio and 12G video monitor that accepts 2 x 12G/3G/HD/SD-SDI signals over BNC. 4 SFP cages allow for a variety of additional monitoring options, including 2110, 2022-6, as well as additional SDI inputs in a variety of combinations listed in the table below. Our Dolby® ATMOS option allows decoding of Dolby Atmos content, along with the familiar Dolby D, D+, E and ED2 content. Loudness measurement using ITU-R BS. 1770 or EBU R128 is included as standard.

### Flexible. Adaptable. Future Proof.

iAM-12G-SDI is designed to be easy to operate, yet powerful enough to provide high quality, accessible and easy to use monitoring of the newest signals (12G, 2110, 2022-6) within a compact form factor. Incorporating the latest technology, physical and touch screen front panel controls duplicate previous mature design philosophies of shipping iAM units.

With both front mounting speakers and sub-woofers, the iAM-12G-SDI provides the powerful sound output and audio reproduction that Wohler is well known for.

A front mounting USB port is available for simple software updates. Multiple units on the same network can be updated, monitored and controlled via a browser-based user interface that supports fast configuration with authentication that protects critical configurations from unauthorized alteration.

### Features/Benefits:

- 2 x 12G (4K) SDI inputs that also monitor 3G/HD/SD-SDI signals as well
- 4 x SFP cages allowing a range of optional connectors and signal processing options, fully listed in the table below
- Optional Dolby® Atmos that also decodes Dolby D, D+ E and ED2 streams for playback, metering and metadata
- Touch screen front panel for easy, intuitive control
- Measure Audio Loudness using ITU-R BS. 1770 or EBU R128 standards
- Video monitoring and audio monitoring of up to 16 channels of audio from multiple sources
- Built-in speakers, headphone jack, USB and Ethernet ports
- Store and retrieve presets via USB or remote software control
- Software upgradeable via USB or network, upgrade multiple units at once
- APIs for remote control

Model	Part ID	Description
iAM-12G-SDI	8114-0351	Base Unit
OPT-DOLBY D DD+ E	829167	Processing Option
OPT-DOLBY ATMOS	829163	Processing Option
SFP-2110 w/Ember+	829086	SFP I/O Option
SFP-2110 w/NMOS	829086-1	SFP I/O Option
SFP-2022	829088	SFP I/O Option
SFP-2110 w/Ember+ +2022-6	829087	SFP I/O Option
SFP-2110+2022-6 w/NMOS	829087-1	SFP I/O Option
SFP-SDI	829089	SFP I/O Option
SFP-12G-SDI-FIBER	829160	SFP I/O Option
SFP-SDI-FIBER	829084	SFP I/O Option
SFP-SDI-OUTPUT	829083	SFP Output Option
SFP-HDMI-OUTPUT	829155	SFP Output Option



# iAM-12G-SDI

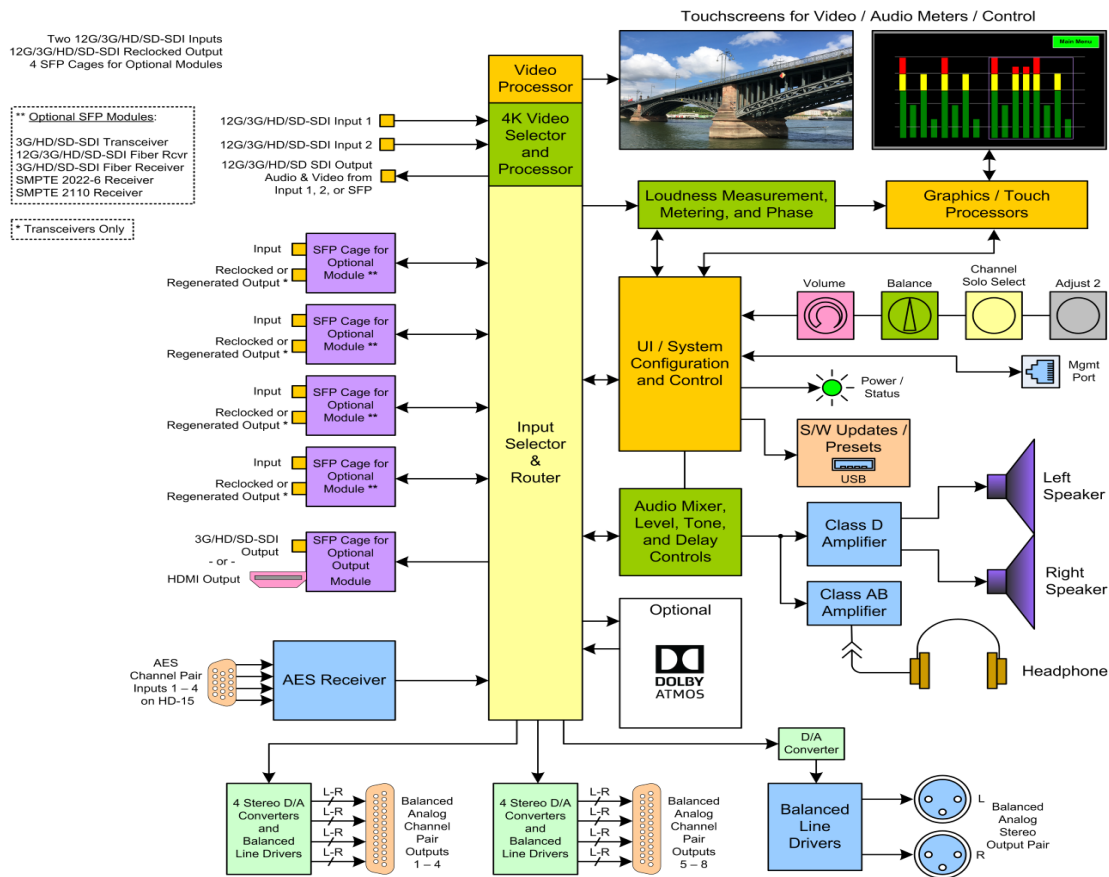


Multi-Channel Audio and 12G/4K Video Monitoring & Metering of IP and Baseband Signals

## Rear Panel



## Block Diagram



Specifications	iAM-12G-SDI
<b>Dimensions (W x H x D)</b>	2RU in standard 19" rack: 19" x 3.5" x 9.5" (483 mm x 89 mm x 242 mm)
<b>Shipping &amp; Net weight/dims</b>	Shipping: 16.0 lbs. (7.3 kg) – 24" x 17" x 8" Net: 11.0 lbs. (5.00 kg) 19" x 9.5" x 3.5"
<b>Power Consumption / Supply</b>	40 Watts typical, 18VDC 100 to 240 VAC ± 10%, 50/60 Hz, CD & UL approved
<b>Display Type / Resolution</b>	4.3" (109 mm) LCD Capacitive Touchscreen x 2; 480H x 272V
<b>Audio Channels</b>	16 Max
<b>Hum and Noise</b>	Better than -75 dB below full output
<b>Peak Acoustic Output</b>	104 dB SPL @ 2 feet
<b>Speaker Power Output</b>	RMS Each Side: 15W Continuous / 30W Peak
<b>Upgrades</b>	Via USB or GUI web interface; Upgrading multiple units available via web interface
<b>Presets</b>	Programmable/nameable. Can be copied from unit to unit via USB or GUI software / Ethernet
<b>Available APIs</b>	Get Available Presets; Get Preset Information; Get Active Preset; Set Mute/Unmute Clusters; Set Solo Cluster; Set Solo Channel; Source Select

Specifications subject to change, errors and omissions excepted  
 All trademarks, product names and images are the property of their respective owners  
 Any rights not expressly granted herein are reserved. Rev 06/09/2020